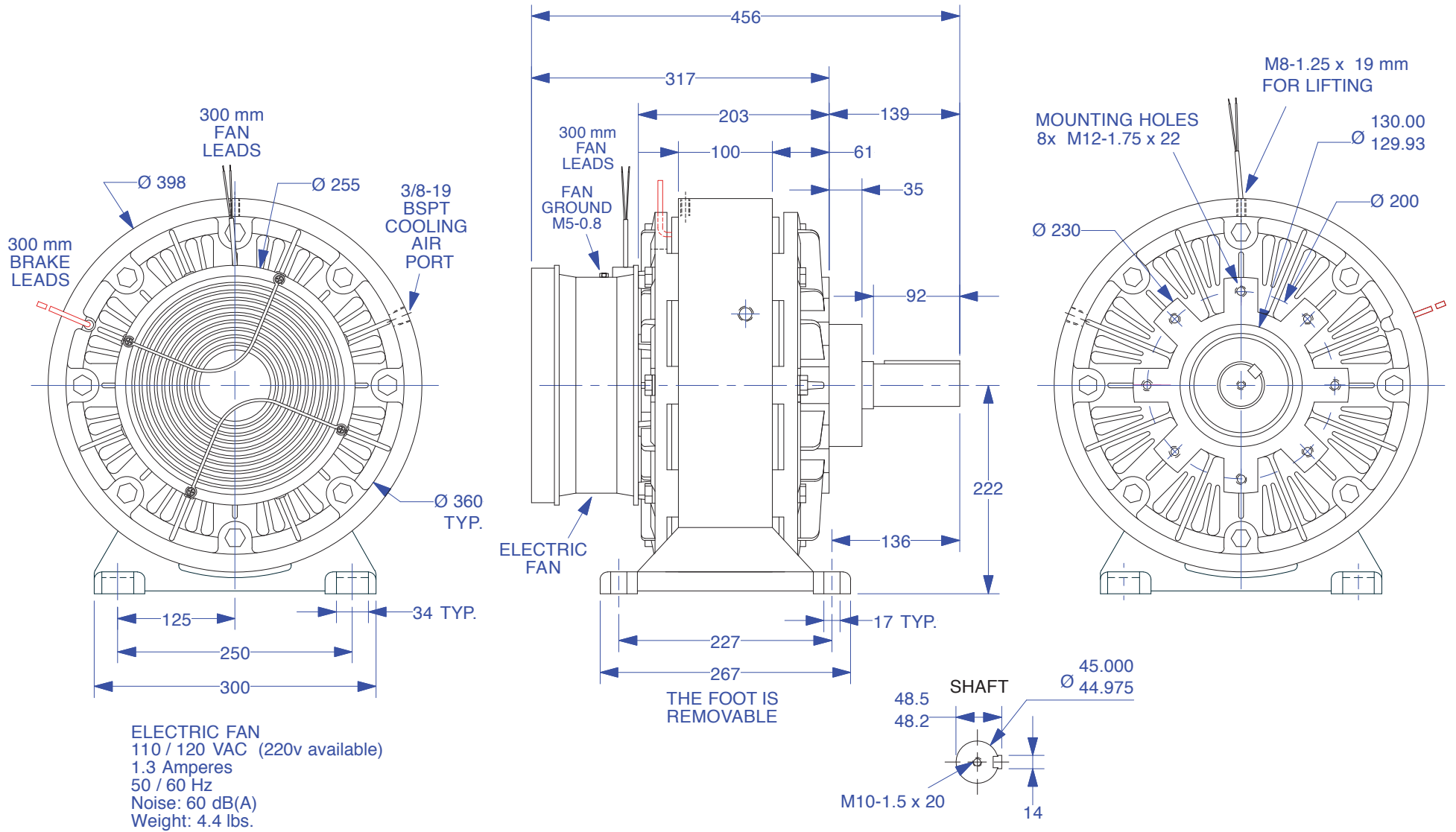


MAGNETIC PARTICLE BRAKE POB-400F with 110v FAN



ELECTRIC FAN
 110 / 120 VAC (220v available)
 1.3 Amperes
 50 / 60 Hz
 Noise: 60 dB(A)
 Weight: 4.4 lbs.

FAN MOUNTING SCREWS
 4X M4-0.7 ON Ø 245 B.C.

Units: mm
 Scale: 1/6

Drawn 12/10/08
 Changed 3/26/13

Elmira, NY 14901 USA
 Telephone: 518-523-2422
www.placidindustries.com

