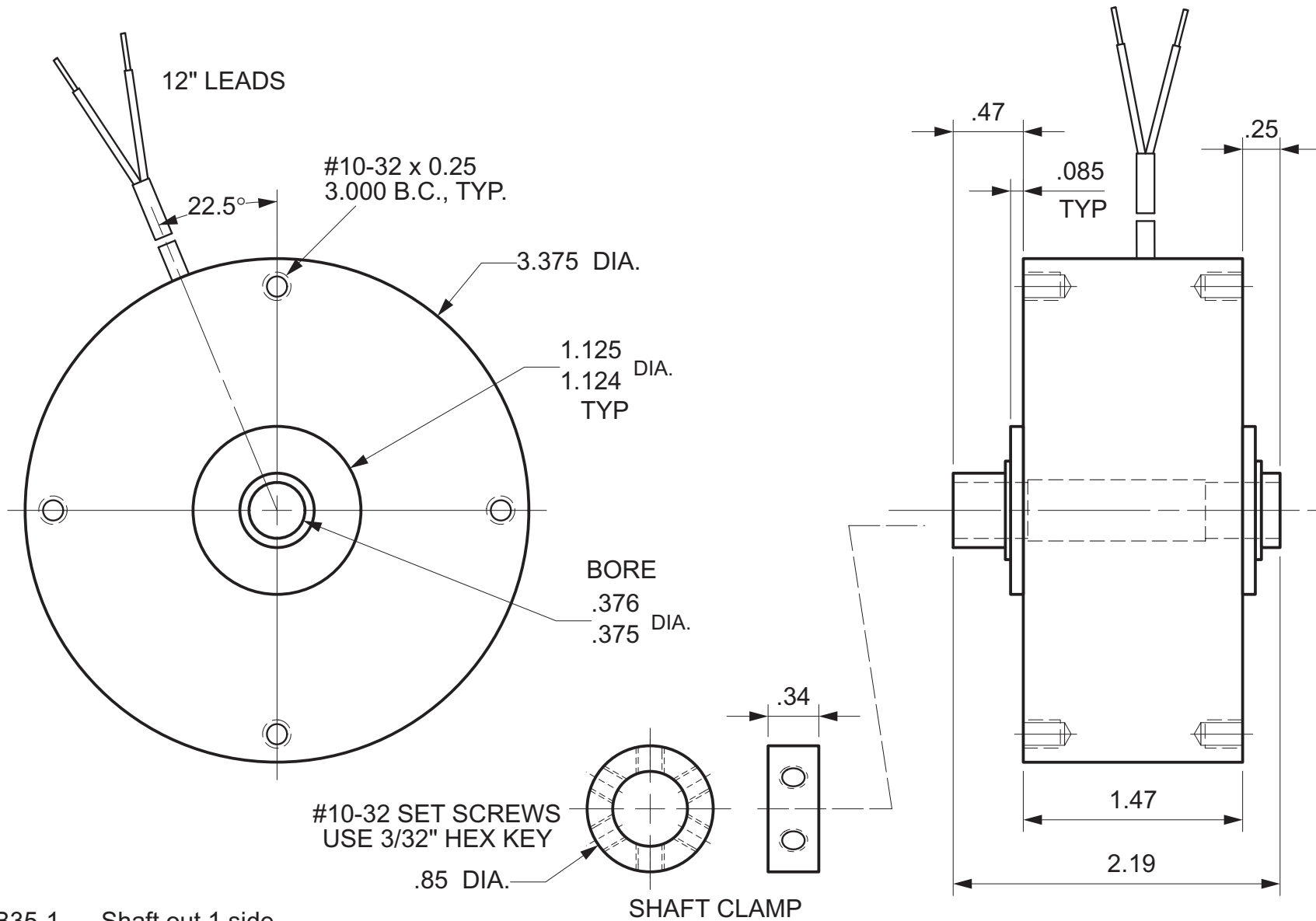


# MAGNETIC PARTICLE BRAKE B35 - H



- B35-1, Shaft out 1 side
- B35-2, Shaft out 2 sides
- B35-H, Hollow shaft (as shown)

Units : inches  
Scale : full

Drawn 9/27/01  
Changed 9/27/01

Elmira, NY 14901 USA  
Telephone: 518-523-2422  
[www.placidindustries.com](http://www.placidindustries.com)

