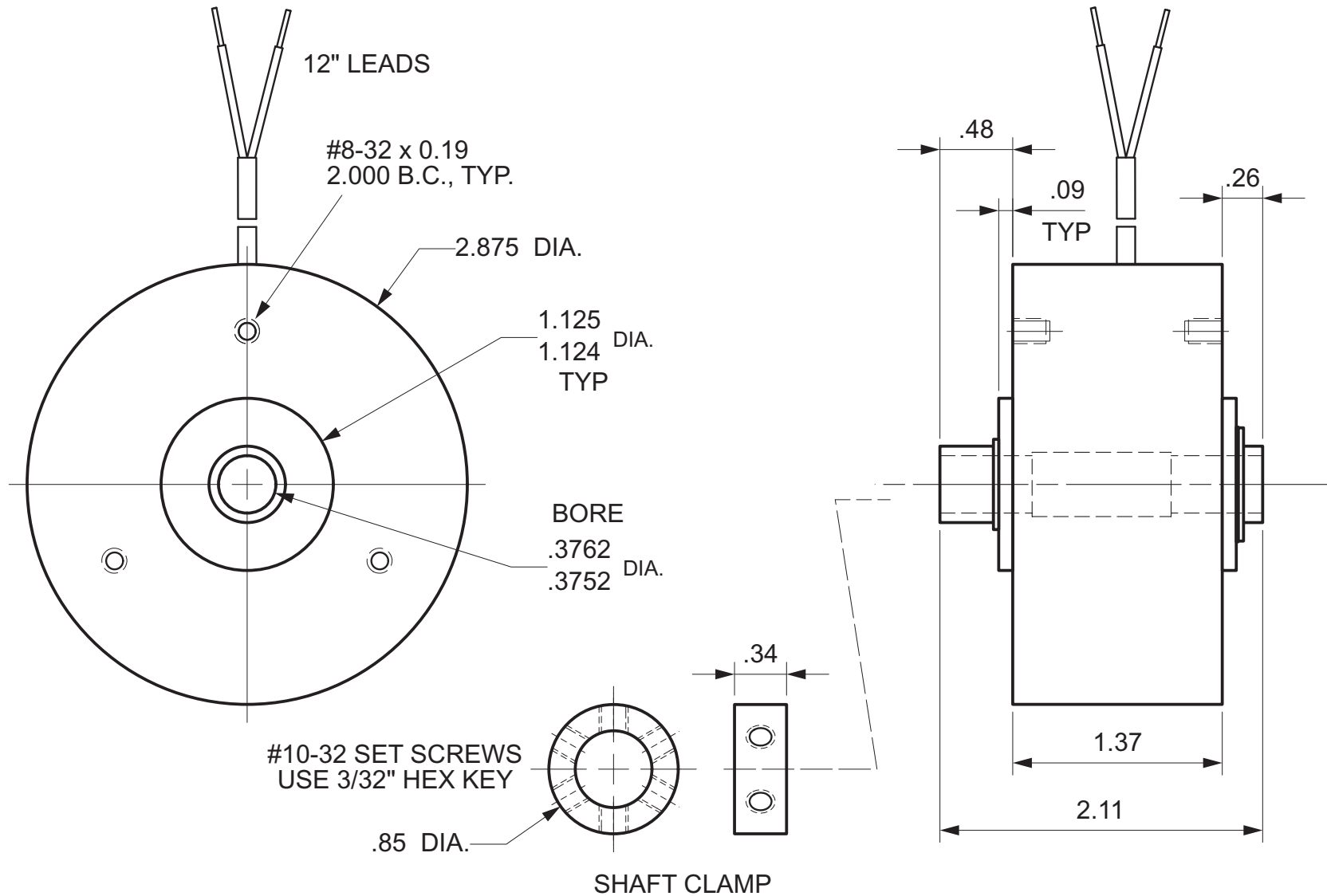


MAGNETIC PARTICLE BRAKE B15 - H



B15-1, Shaft out 1 side
 B15-2, Shaft out 2 sides
 B15-H, Hollow shaft (as shown)

Units : inches
 Scale : full

Drawn 9/27/01
 Changed 9/27/01

Elmira, NY 14901 USA
 Telephone: 518-523-2422
www.placidindustries.com

