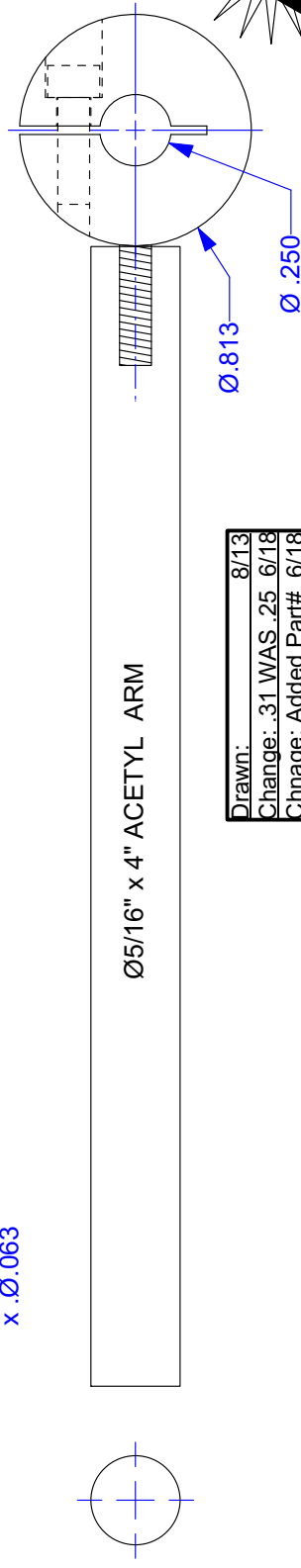
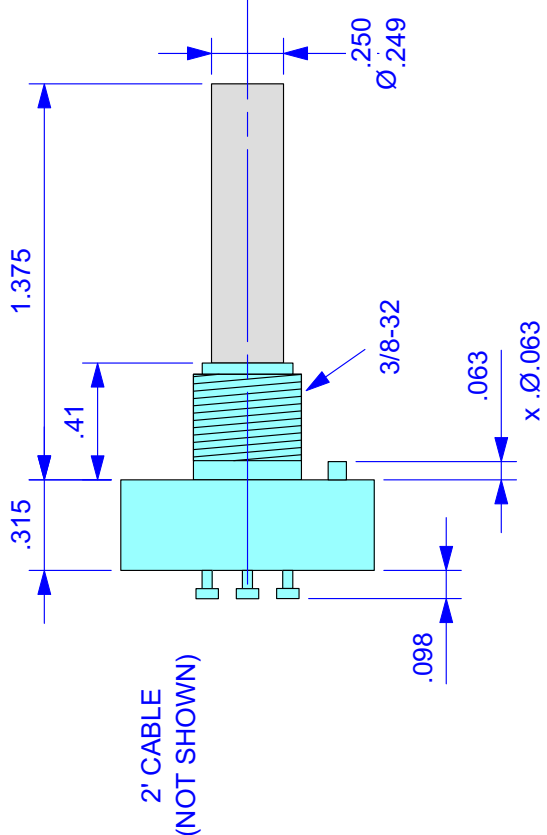
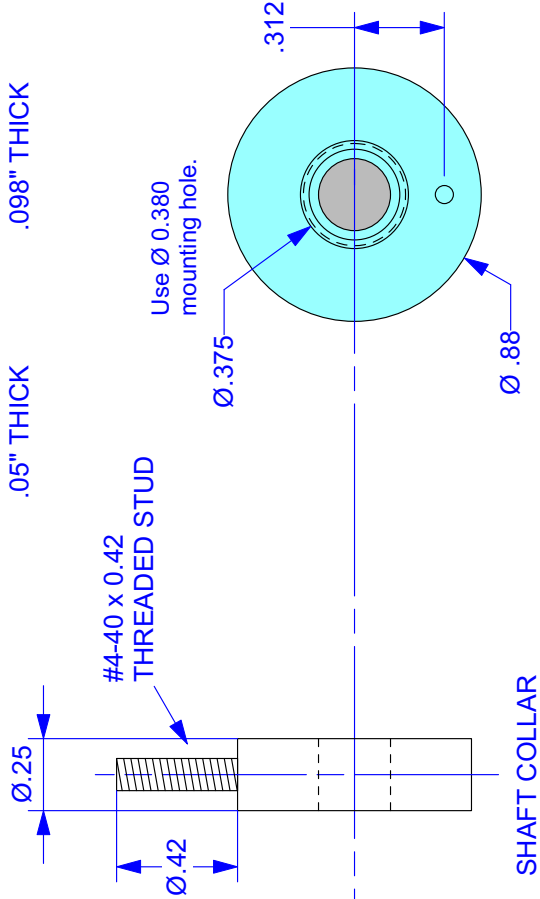
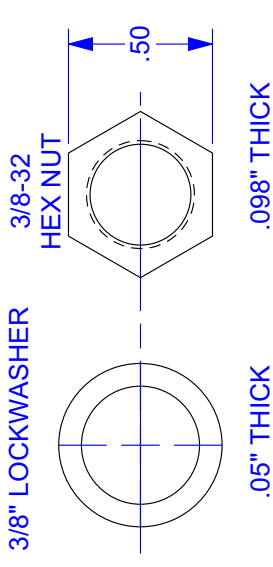
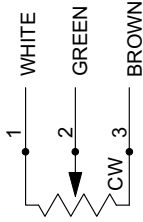


EM-4-2 MINI-FOLLOWER ARM POTENTIOMETER 4" ARM 2' LEAD WIRE

Resistance: 500 ohms
 Electrical Angle : 65°
 Wiper open circuited outside active range
 Mechanical Angle: 360° (No stops)



Drawn:	8/13
Change:	.31 WAS .25 6/18
Chnage:	Added Part# 6/18

