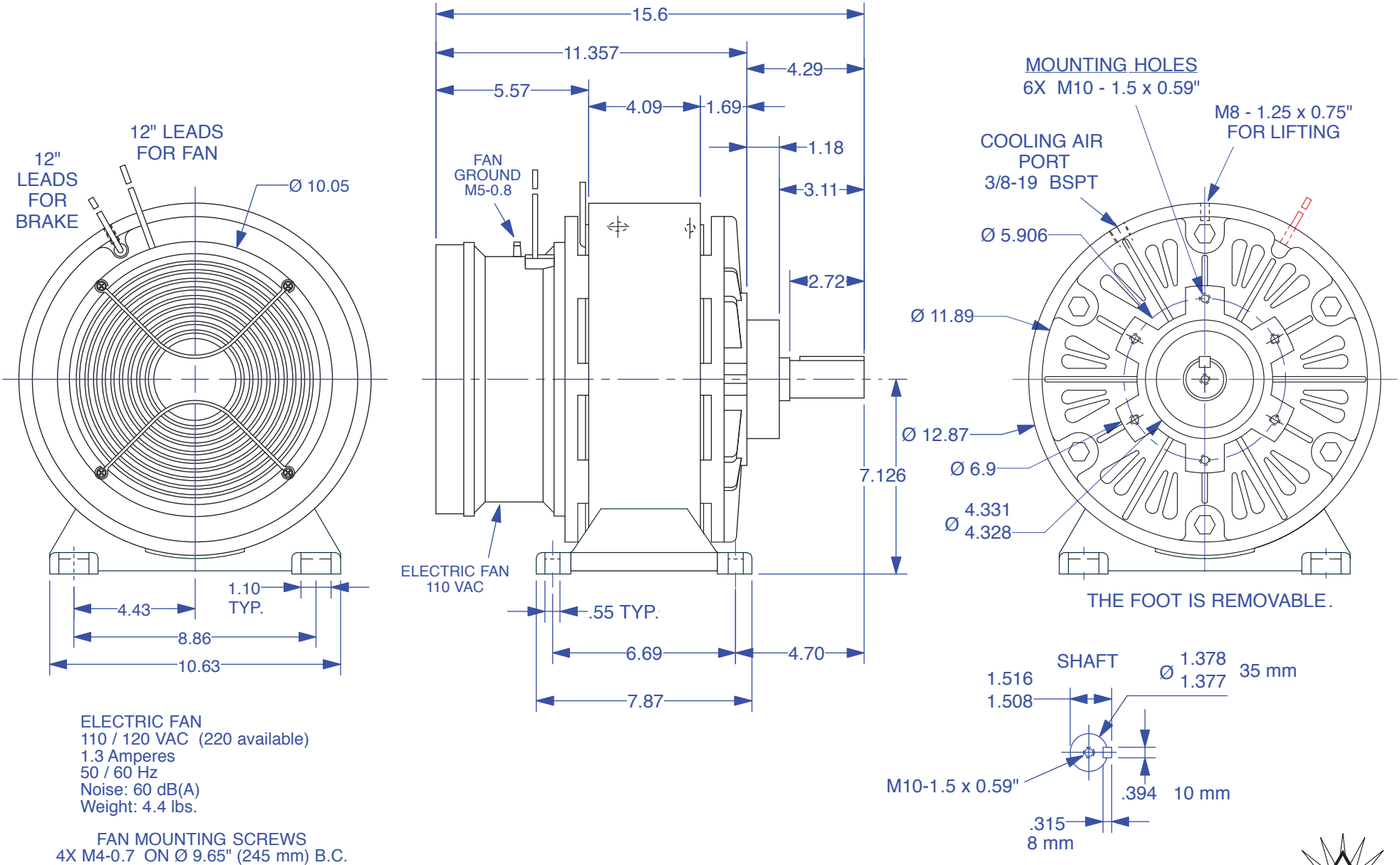


# MAGNETIC PARTICLE BRAKE POB-200F with 110v FAN



ELECTRIC FAN  
 110 / 120 VAC (220 available)  
 1.3 Amperes  
 50 / 60 Hz  
 Noise: 60 dB(A)  
 Weight: 4.4 lbs.

FAN MOUNTING SCREWS  
 4X M4-0.7 ON  $\text{Ø } 9.65"$  (245 mm) B.C.

Units : inch  
 Scale : 1/5

Drawn 12/11/08  
 Changed 3/11/10  
 Foot 3/7/13

Elmira, NY 14901 USA  
 Telephone: 518-523-2422  
 www.placidindustries.com

