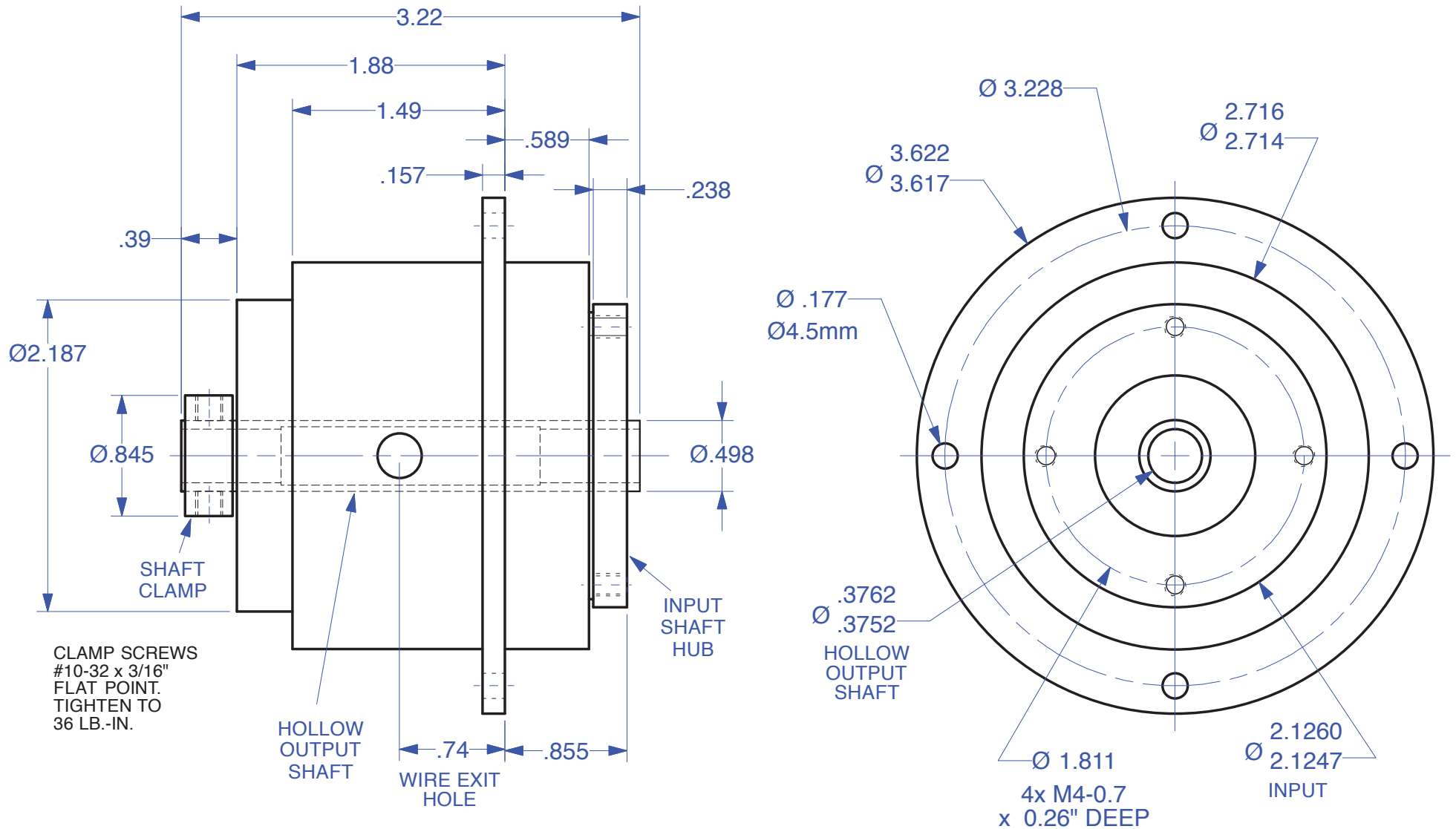


# MAGNETIC PARTICLE CLUTCH CC14-HM

## HOLLOW SHAFT



TORQUE RANGE: 0.4 - 14 LB.-INCHES  
Customer thru-shaft: Ø.3752 / Ø.3745, smooth O.D.

SCALE: Full

Elmira, NY 14901 USA  
Telephone: 518-523-2422  
www.placidindustries.com

Drawn 10/27/09  
Changed 11/2/09

