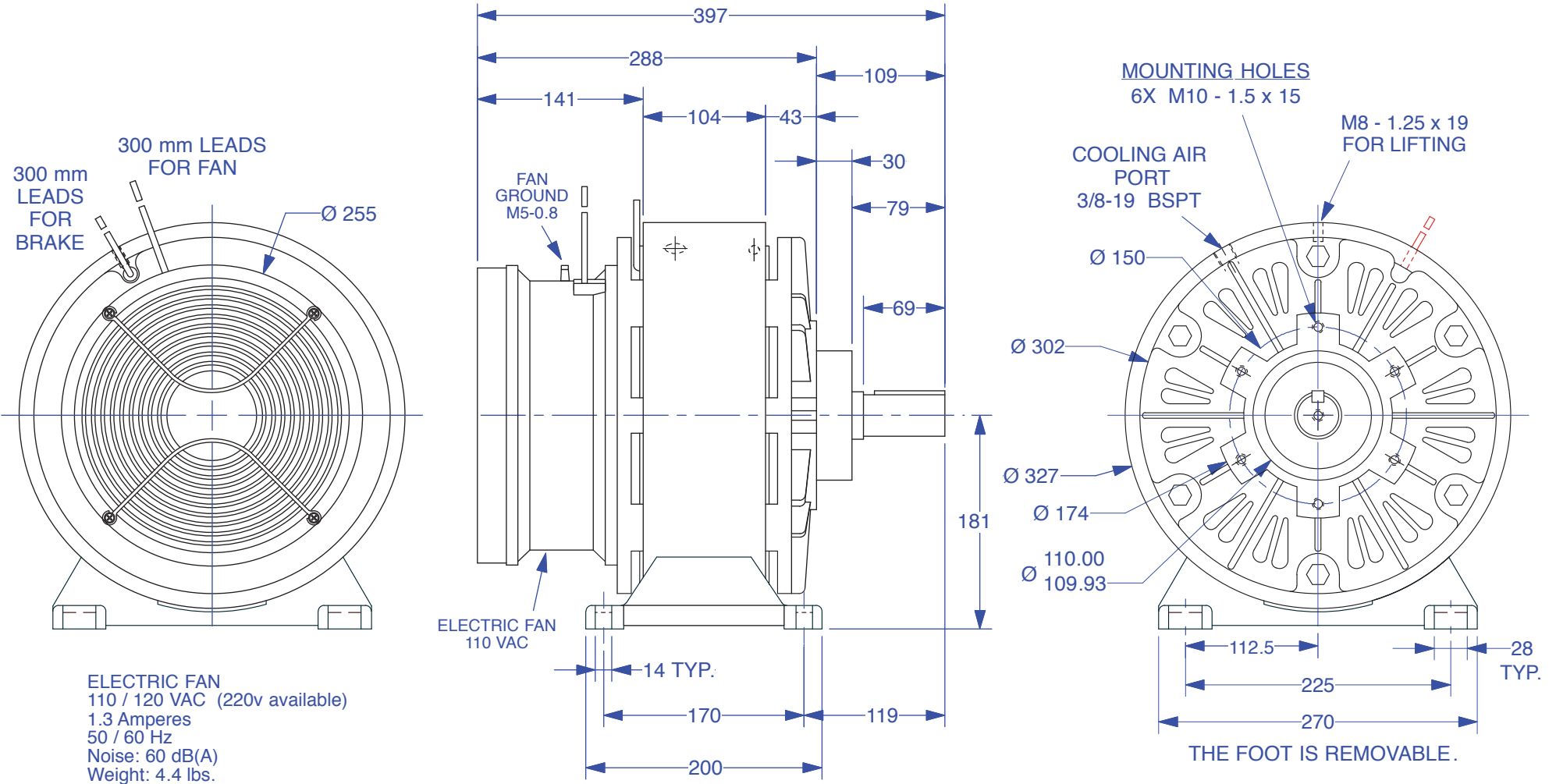
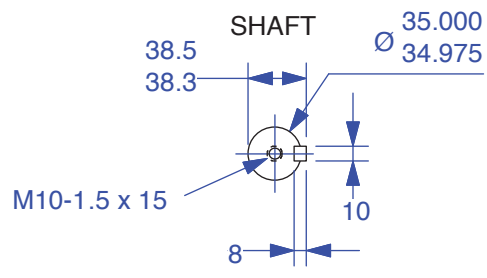


MAGNETIC PARTICLE BRAKE POB-200F with 110v FAN



ELECTRIC FAN
 110 / 120 VAC (220v available)
 1.3 Amperes
 50 / 60 Hz
 Noise: 60 dB(A)
 Weight: 4.4 lbs.

FAN MOUNTING SCREWS
 4X M4-0.7 ON Ø 9.65" (245 mm) B.C.



Units : mm
 Scale : 1/5

Drawn 12/11/08
 Changed 3/11/10
 Foot 3/7/13

Elmira, NY 14901 USA
 Telephone: 518-523-2422
www.placidindustries.com

