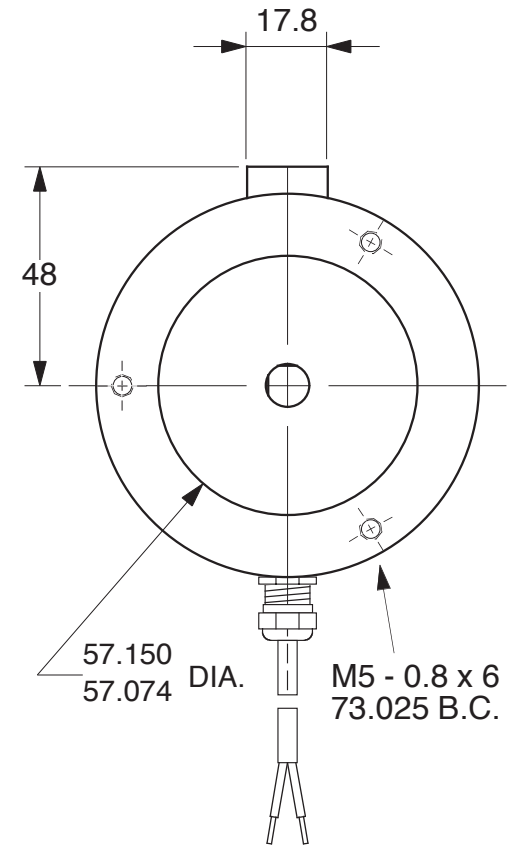
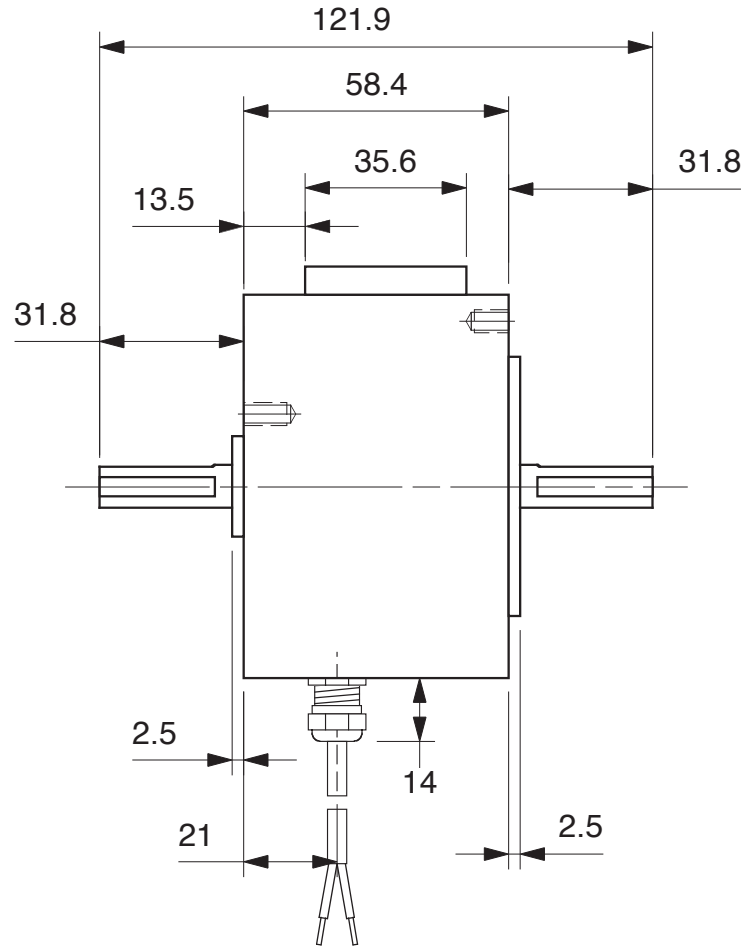
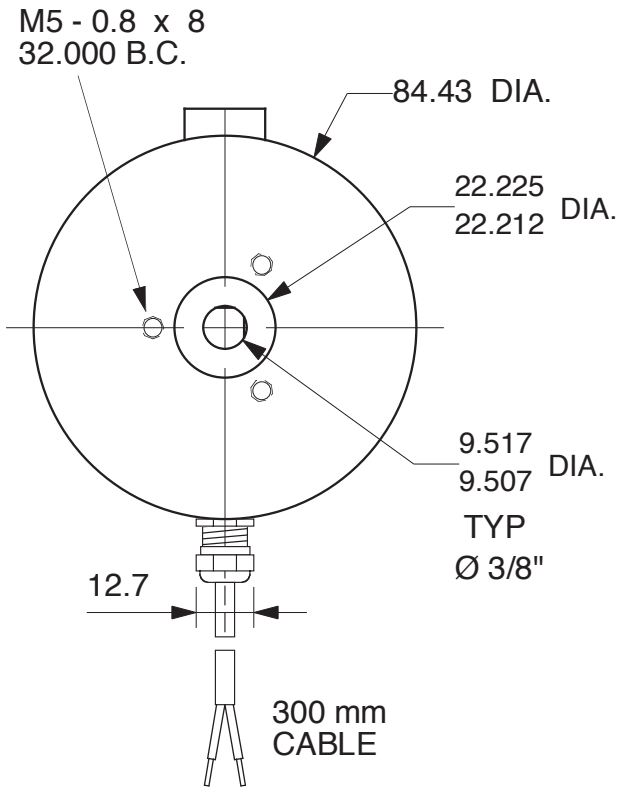


HYSTERESIS BRAKE H85 - 2M



Units : mm
 Scale : 60%

Drawn 9/27/01
 Changed 9/27/01

Elmira, NY 14901 USA
 Telephone: 518-523-2422
 www.placidindustries.com

