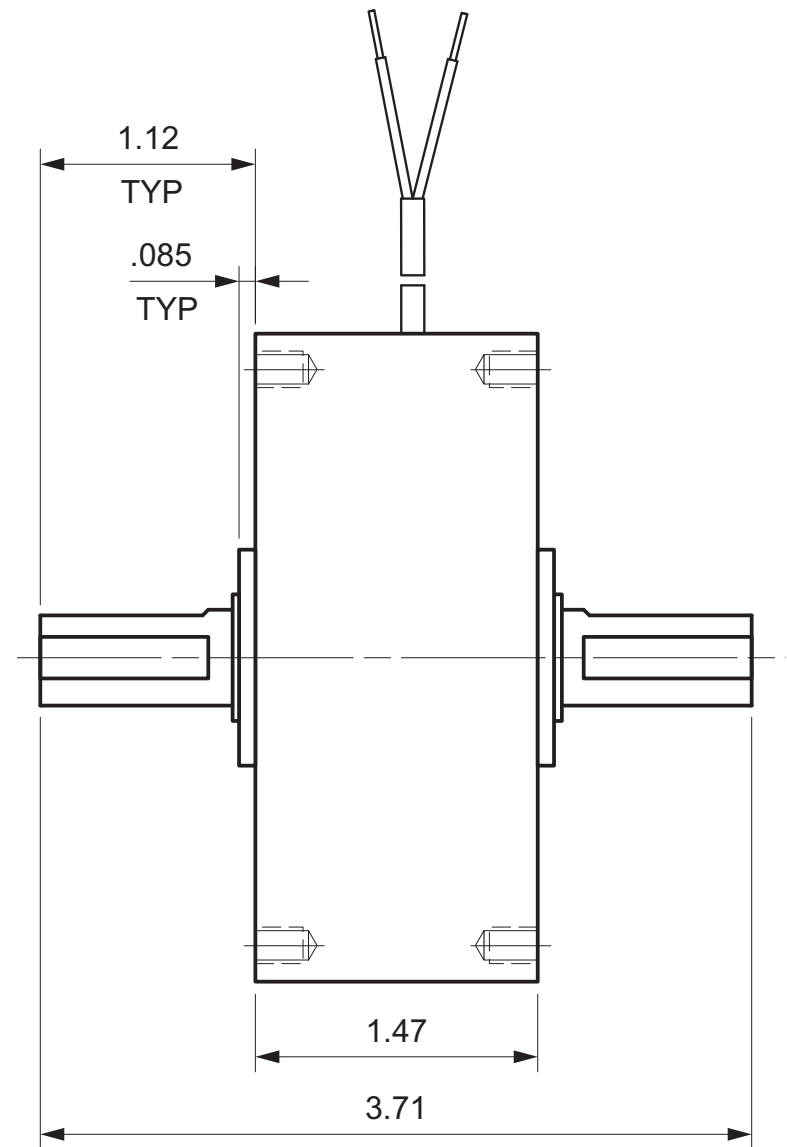
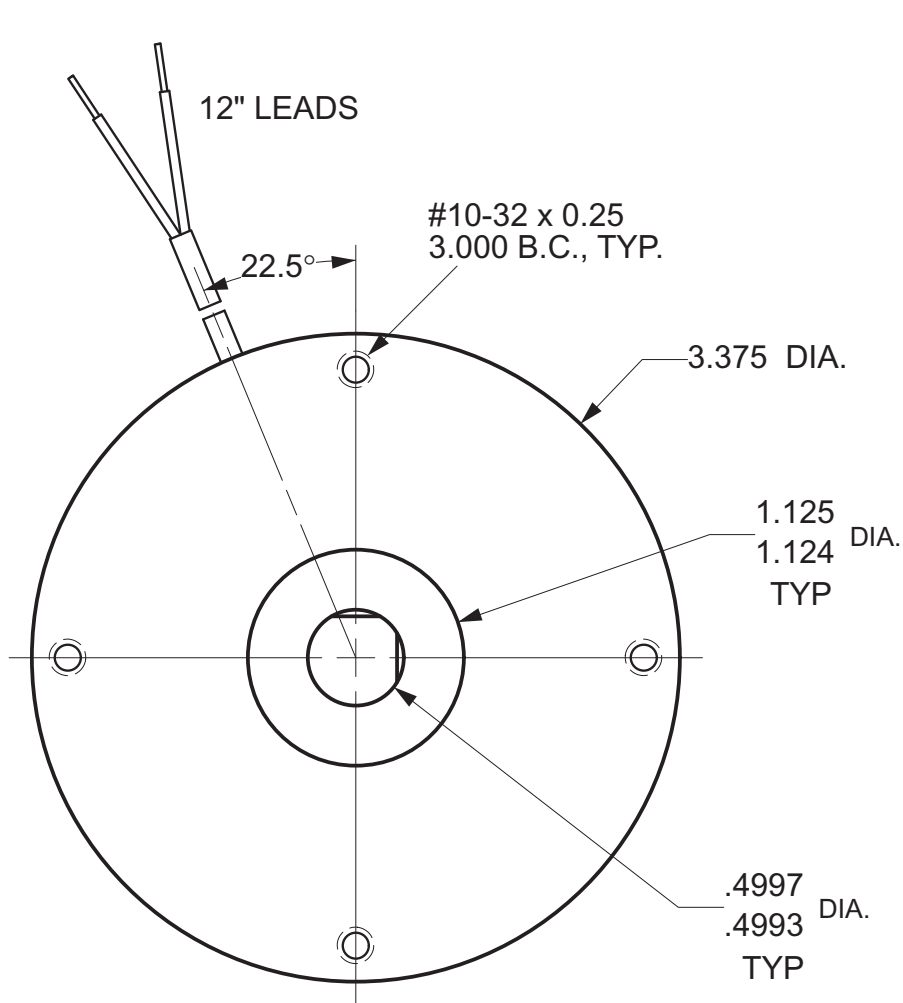


MAGNETIC PARTICLE BRAKE B35 - 2



B35-1, Shaft out 1 side
 B35-2, Shaft out 2 sides (as shown)
 B35-H, Hollow shaft

Units : inches
 Scale : full

Drawn 9/27/01
 Changed 9/27/01

Elmira, NY 14901 USA
 Telephone: 518-523-2422
www.placidindustries.com

