

POWER SUPPLY - PST

The power supply can control the large series 24 Volt brakes & clutches or multiple smaller ones. Output current is maintained constant, even while the load resistance changes, which is typical of any brake or clutch coil when temperature changes.
 Output Voltage: 0 - 24 Volts D.C.

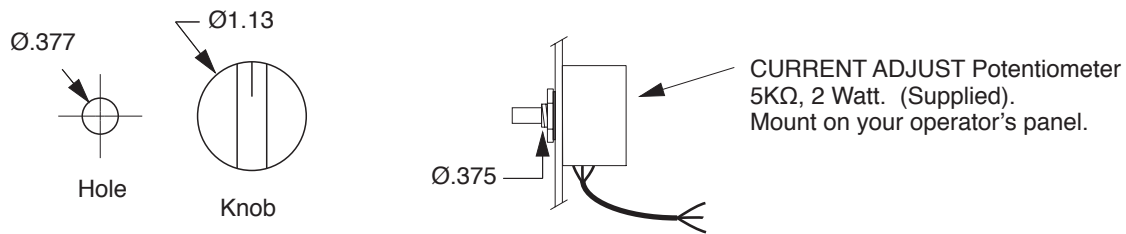
Control output current via: Potentiometer, 0-5 Volt Signal, 0-10 Volt Signal, or 4-20 mA, (selectable via jumper)

Part Number: PST (Output Current) - 24 - (Input AC Voltage)

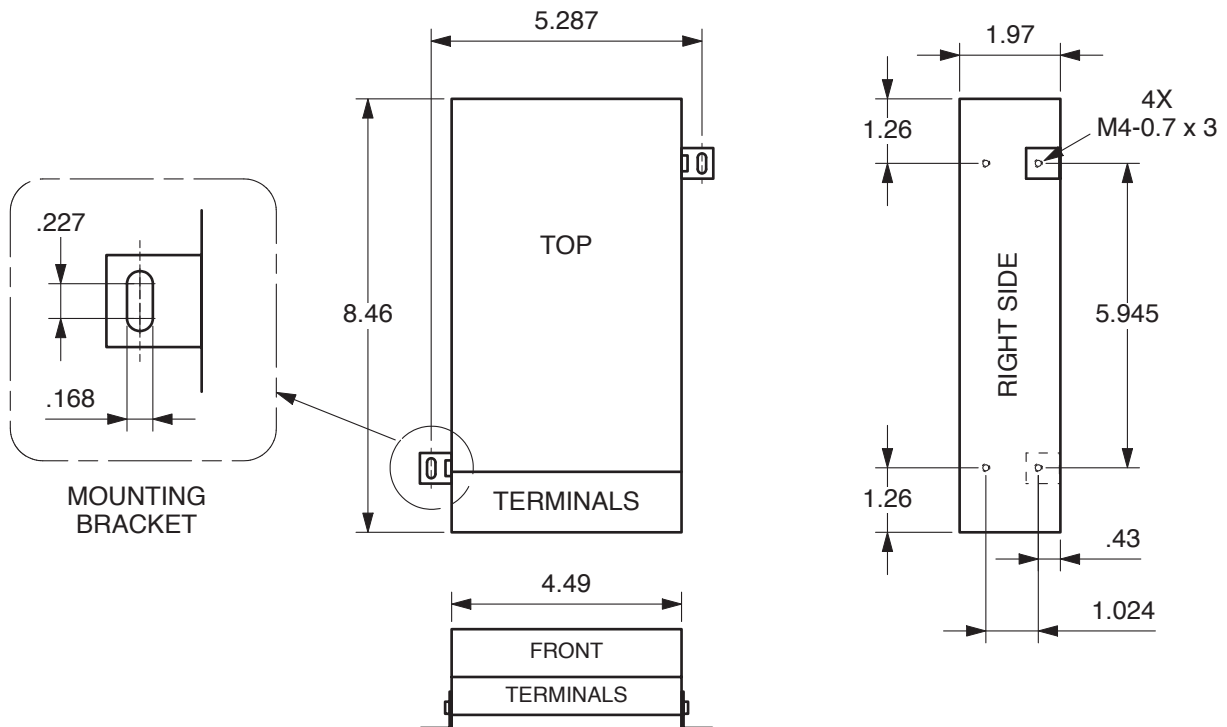
2 = 2 Amperes
 3 = 3 Amperes
 4 = 4 Amperes

110 = 95 - 130 Volts AC.
 220 = 190 - 260 Volts AC.

POTENTIOMETER MOUNTING HOLE

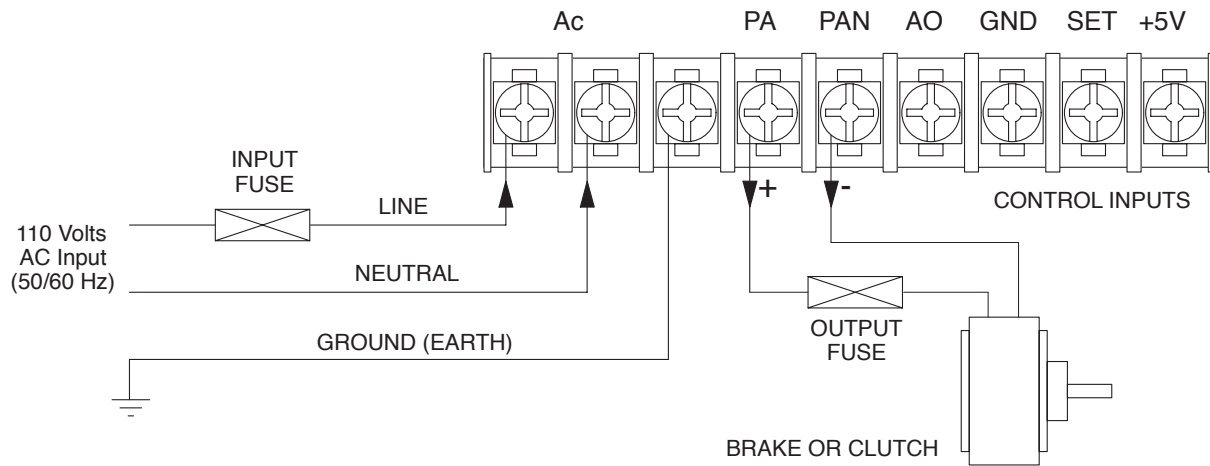


DIMENSIONS (inches)



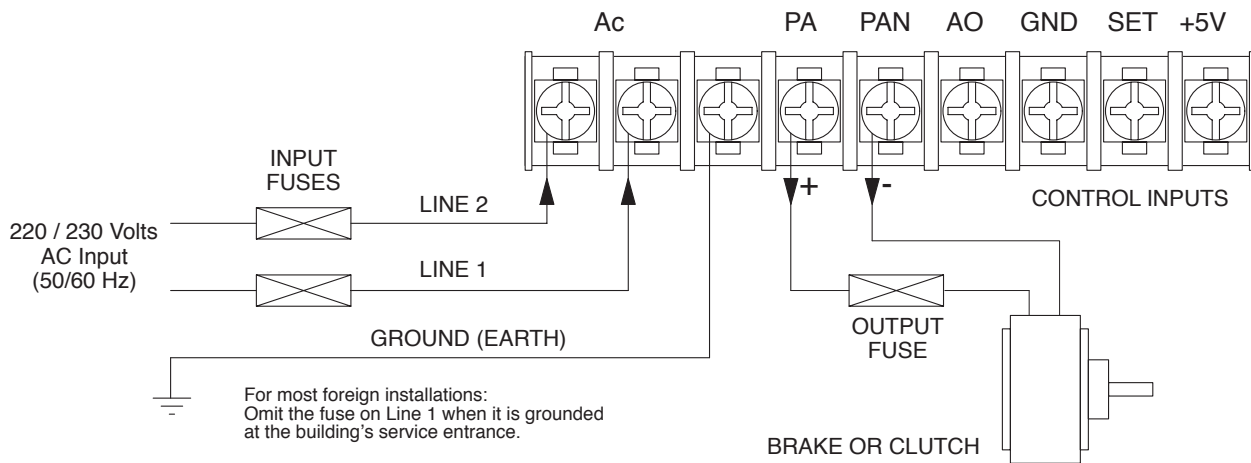
POWER SUPPLY - PST

A.C. INPUT, 110 VOLTS



MODEL	INPUT FUSE	OUTPUT FUSE
PST2-24-110	1	3
PST3-24-110	1.5	4
PST4-24-110	2	6

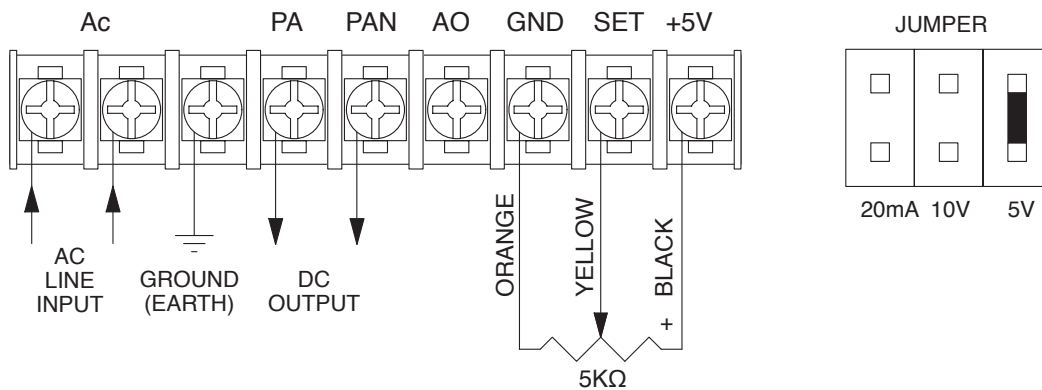
A.C. INPUT, 220 / 230 VOLTS



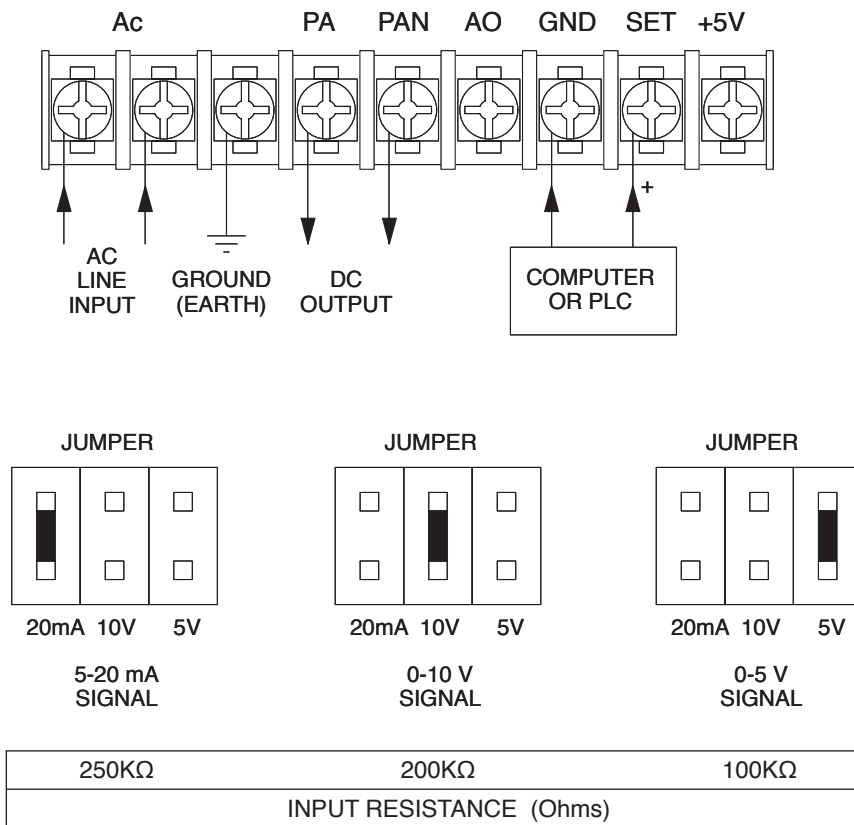
MODEL	INPUT FUSE	OUTPUT FUSE
PST2-24-220	3/4	3
PST3-24-220	1	4
PST4-24-220	1.5	6

POWER SUPPLY - PST

CONTROL OUTPUT CURRENT WITH A POTENTIOMETER



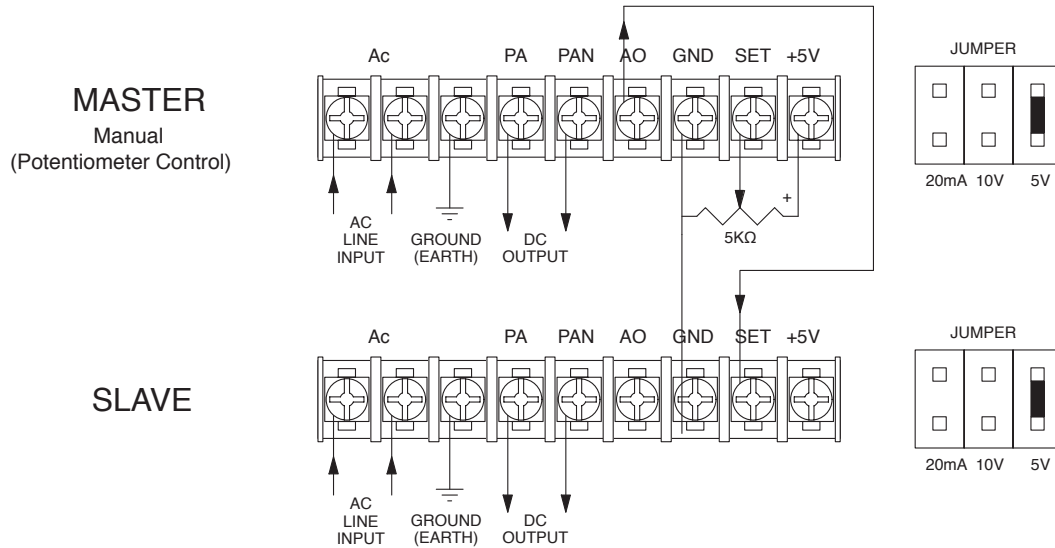
CONTROL OUTPUT CURRENT WITH A VOLTAGE / CURRENT SIGNAL



POWER SUPPLY - PST

Multiple PST power supplies can be controlled by one control input (potentiometer or 0-10 Volt signal), by wiring for master-slave operation.

MASTER / SLAVE WIRING: Manual (Potentiometer Control)



MASTER / SLAVE WIRING: 0-10 Volt Signal Control

