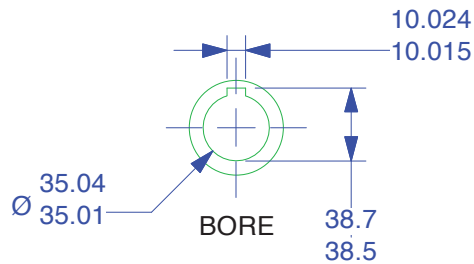
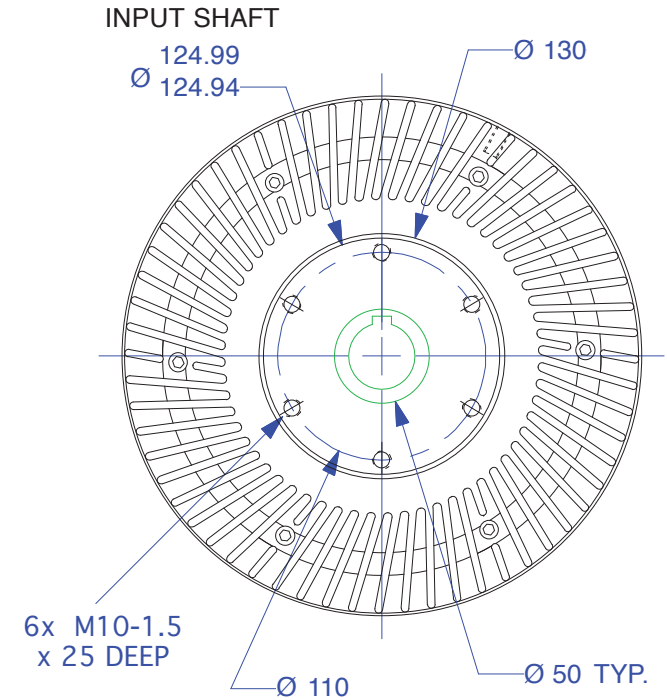
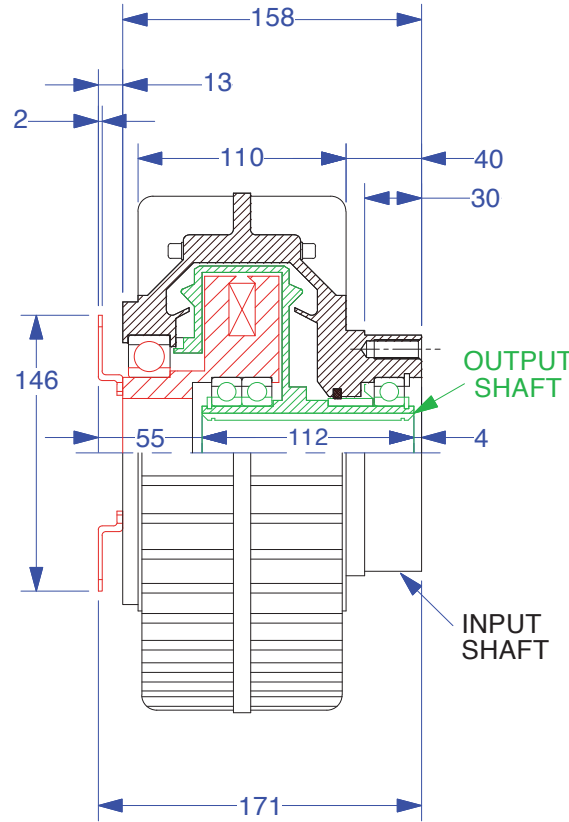
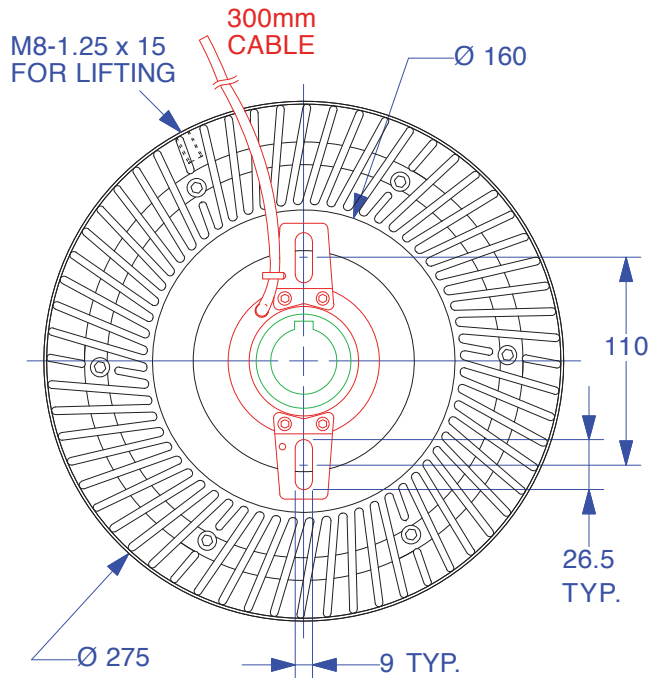


# MAGNETIC PARTICLE CLUTCH PHC - 100

THE FINNED BODY ROTATES WITH THE INPUT SHAFT.  
 HOLD THE WIRES STATIONARY BY THE 2 SLOTTED TABS.  
 THE 35mm BORE IS COUPLED TO THE INPUT SHAFT  
 WITH ELECTRICAL EXCITATION.

MAY BE USED AS A BRAKE BY  
 HOLDING THE FINNED BODY  
 STATIONARY.



TORQUE RANGE = 1.4 - 90 N-m  
 RATED VOLTAGE = 24 VDC  
 INPUT CURRENT = 2.2 AMPS  
 COIL RESISTANCE = 10 OHMS  
 MAX. RPM = 1000  
 WEIGHT = 21 KG

Units : mm  
 Scale : 1/4

Drawn 12/1/07  
 Changed 5/7/09

Elmira, NY 14901 USA  
 Telephone: 518-523-2422  
[www.placidindustries.com](http://www.placidindustries.com)

