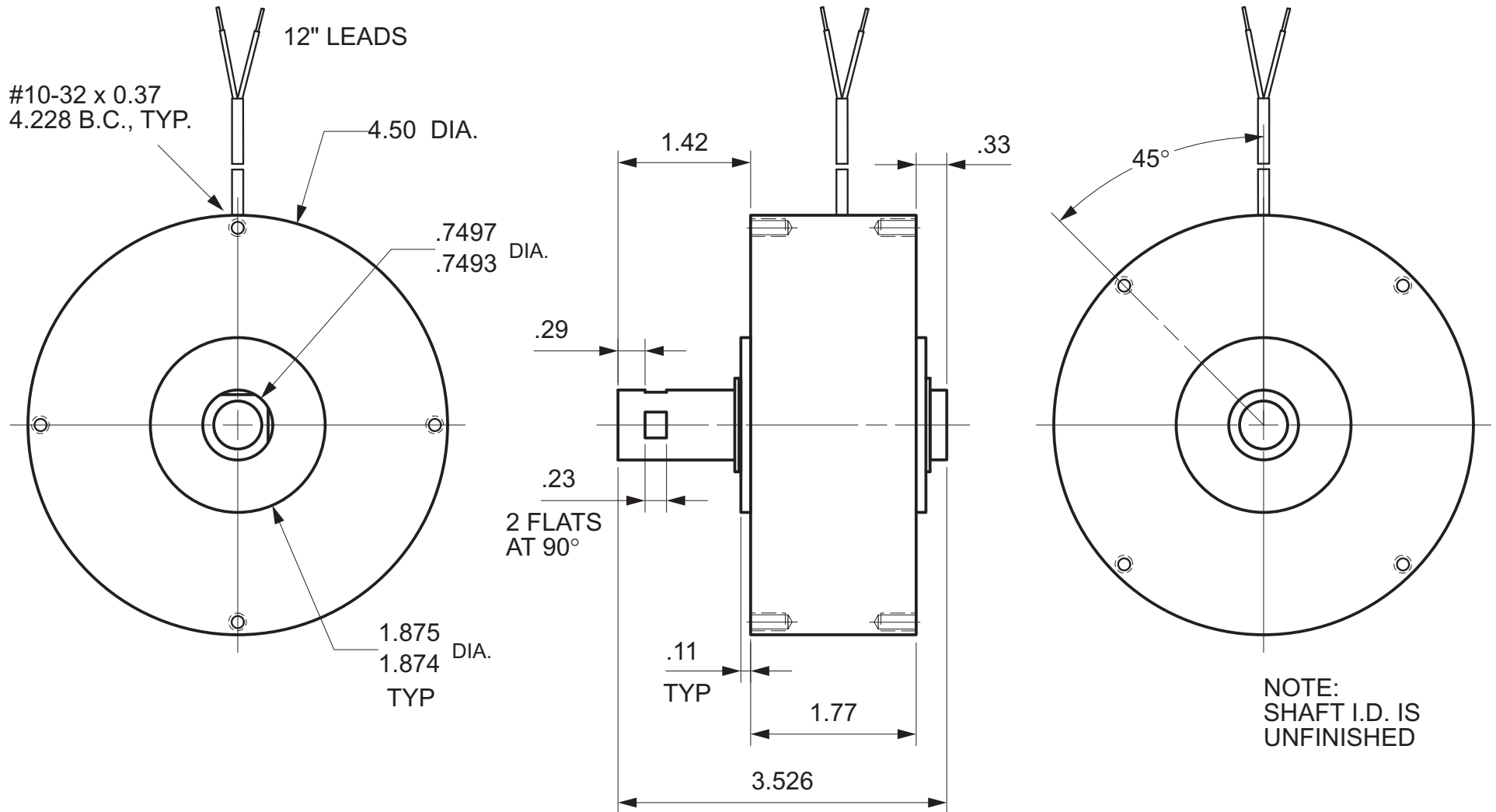


MAGNETIC PARTICLE BRAKE B60 - 1F



B60-1F, Shaft out 1 side, with 2 flats (as shown)
 B60-1K, Shaft out 1 side, with flat & keyway
 B60-H, Hollow shaft

Units : inches
 Scale : 62%

Drawn 9/27/01
 Changed 9/27/01

Elmira, NY 14901 USA
 Telephone: 518-523-2422
www.placidindustries.com

