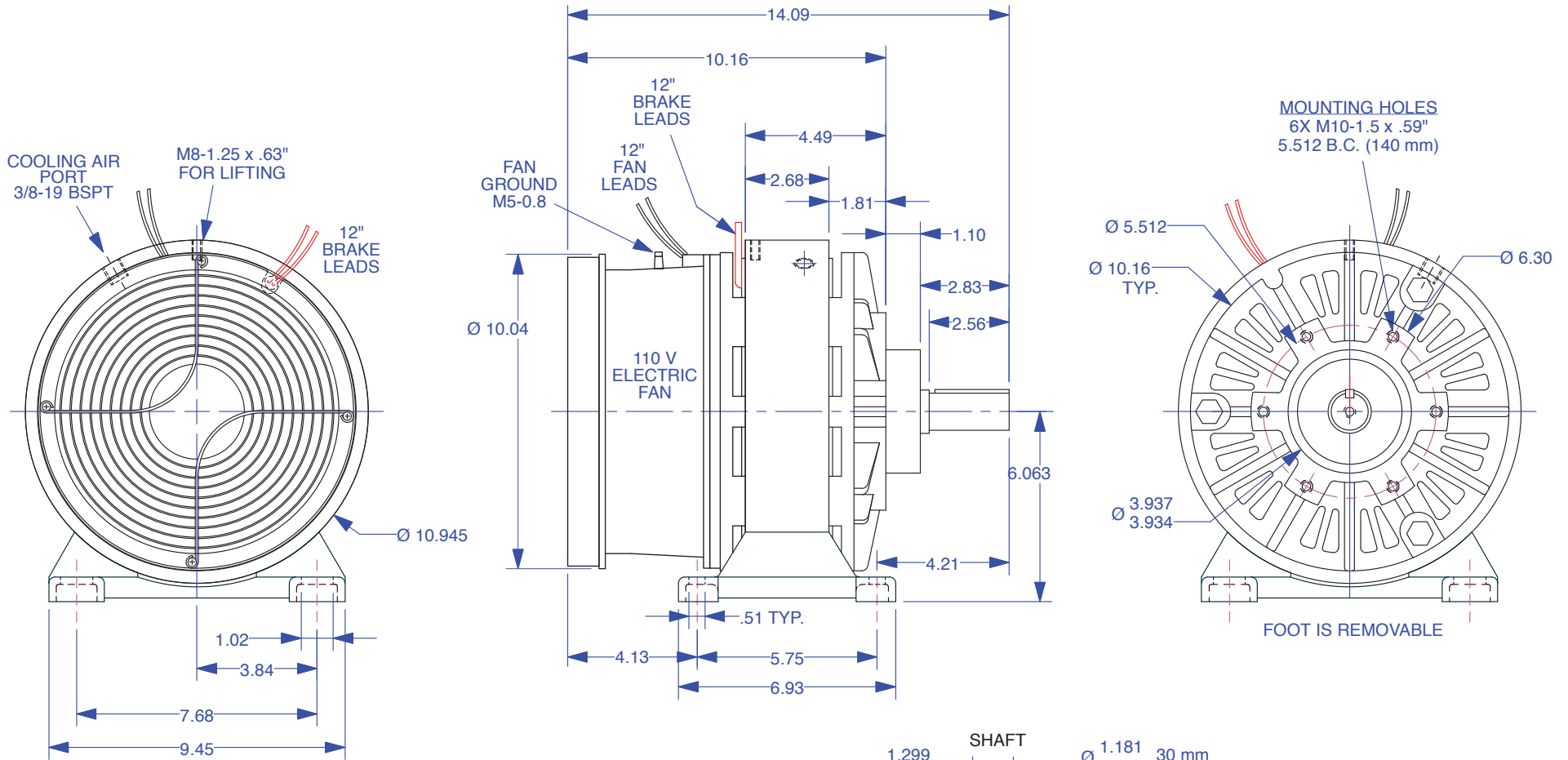


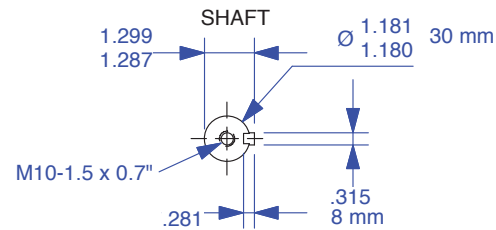
MAGNETIC PARTICLE BRAKE POB-100F

with 110V fan



ELECTRIC FAN
 110 / 120 VAC (220v available)
 1.3 Amperes
 50 / 60 Hz
 Noise: 60 dB(A)
 Weight: 4.4 lbs.

FAN MOUNTING SCREWS
 4X M4-0.7 ON Ø 9.65" (245 mm) B.C.



Units : inches
 Scale : 1/4

Drawn 11/1/07
 Changed 9/2/08
 Foot 7/16/14
 Fan 9/11/13

Elmira, NY 14901 USA
 Telephone: 518-523-2422
www.placidindustries.com

