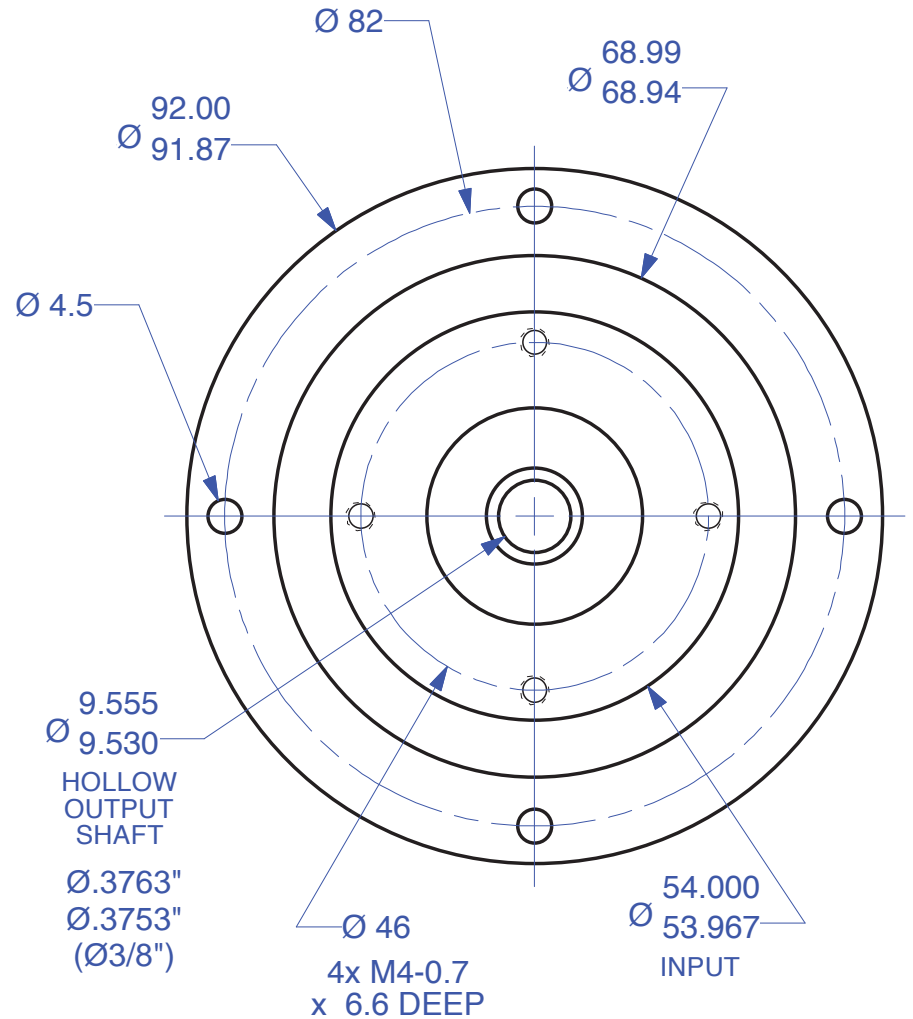
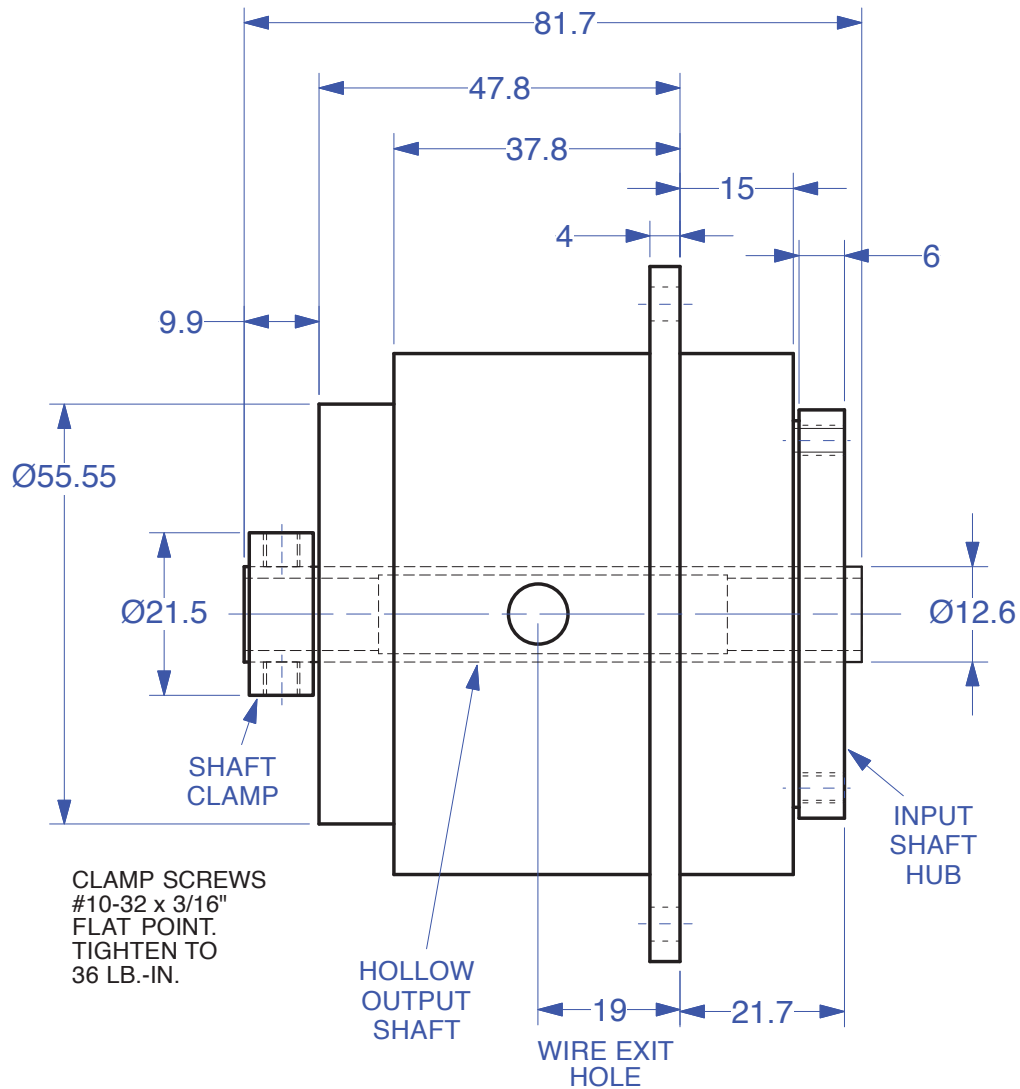


# MAGNETIC PARTICLE CLUTCH CC14-HM

## HOLLOW SHAFT



CLAMP SCREWS  
#10-32 x 3/16"  
FLAT POINT.  
TIGHTEN TO  
36 LB.-IN.

TORQUE RANGE: 0.4 - 14 LB.-INCHES  
Customer thru-shaft:  $\text{Ø} 3.752"$  /  $\text{Ø} 3.745"$ , smooth O.D.

SCALE: Full  
UNITS: mm

Elmira, NY 14901 USA  
Telephone: 518-523-2422  
[www.placidindustries.com](http://www.placidindustries.com)

Drawn 10/27/09  
Changed 11/2/09

