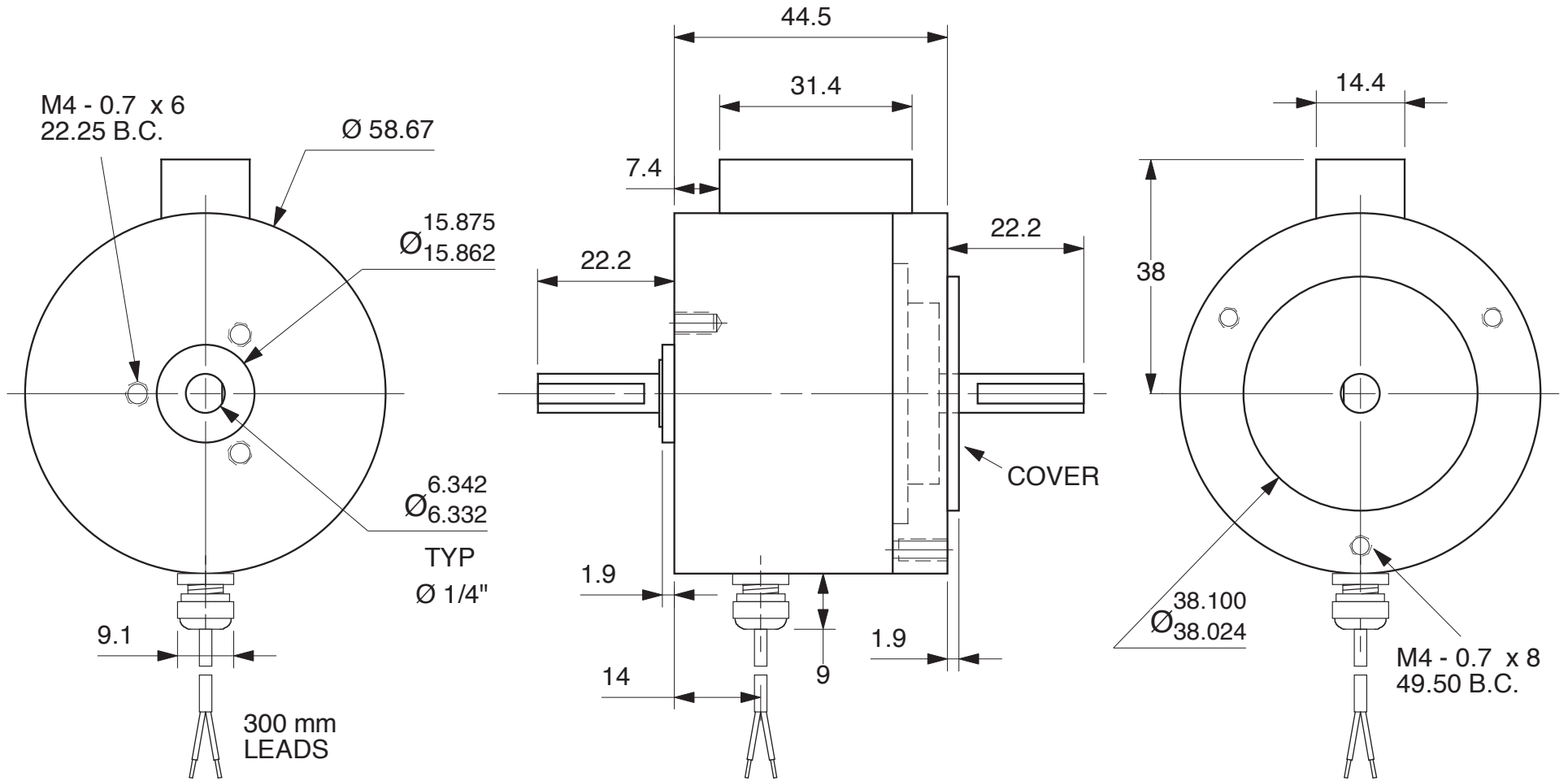


HYSTERESIS BRAKE H35 - 2M



Units : mm
Scale : full

Drawn 9/27/01
Changed 5/8/08

Elmira, NY 14901 USA
Telephone: 518-523-2422
www.placidindustries.com

