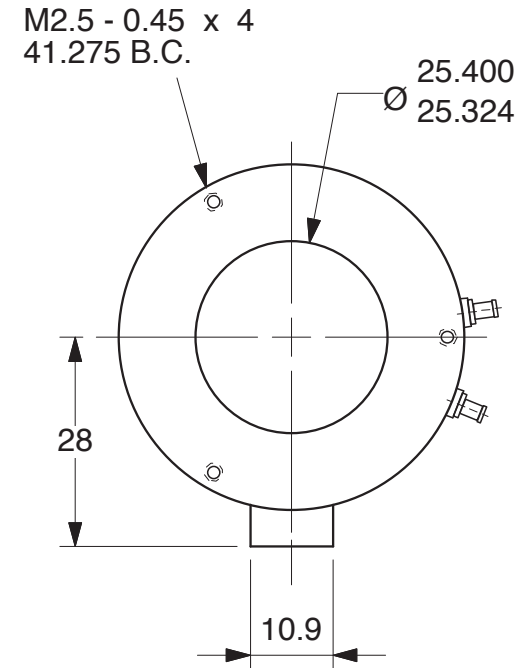
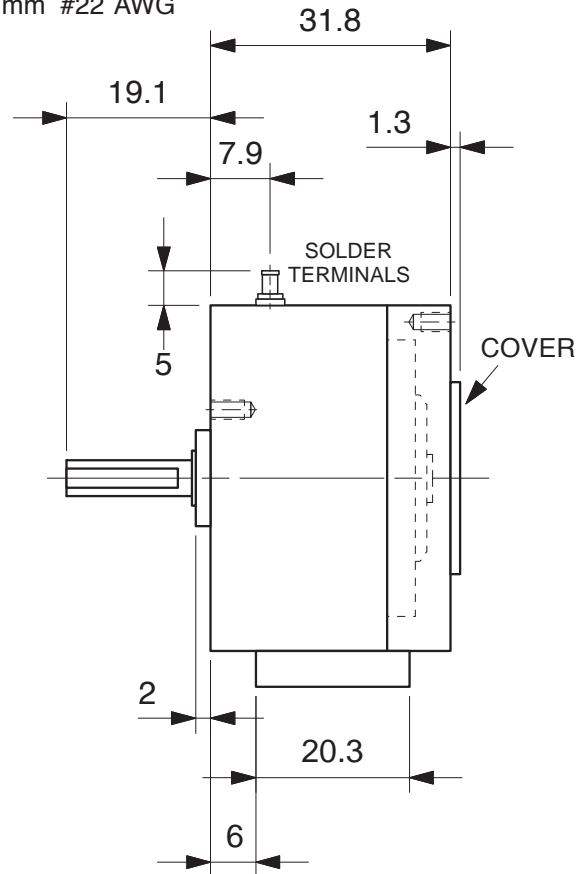
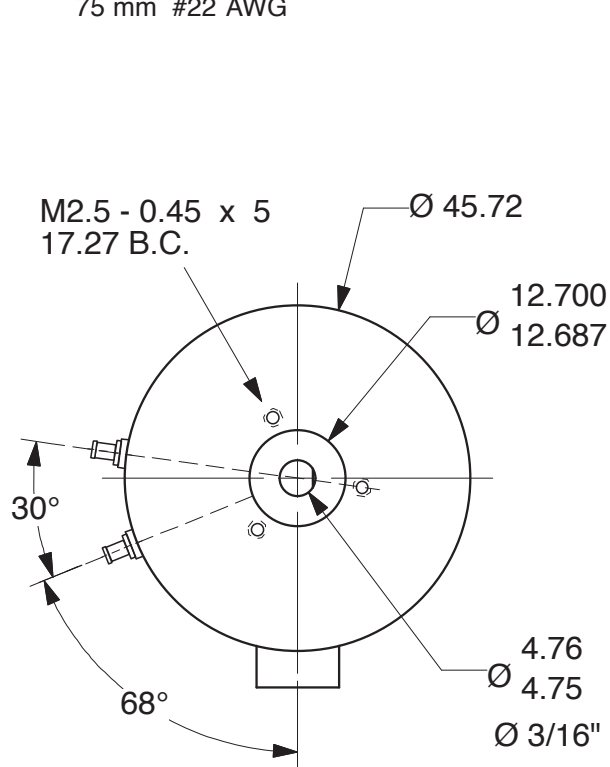
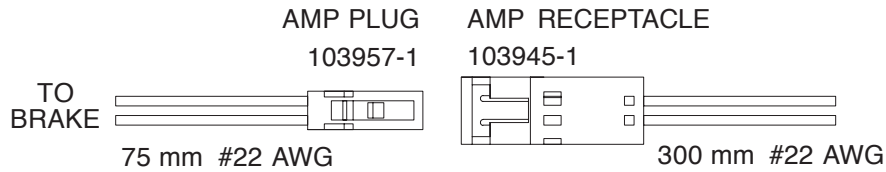


HYSTERESIS BRAKE H11 - 1M



- H11-1M, Shaft out 1 side, (as shown)
- H11-2M, Shaft out 2 sides
- H11-3M, Shaft out 1 side, on cover side

Units : mm
Scale : full

Drawn 9/27/01
Changed 9/30/01

Elmira, NY 14901 USA
Telephone: 518-523-2422
www.placidindustries.com

