

SWITCHING DC POWER SUPPLY



OPERATION MANUAL

INDEX

1. Introduction	(1)
2. Specifications	(1)
3. Front panel & operations	(2)
4. Operation	(3)
5. Accessories & Maintenance	(4)

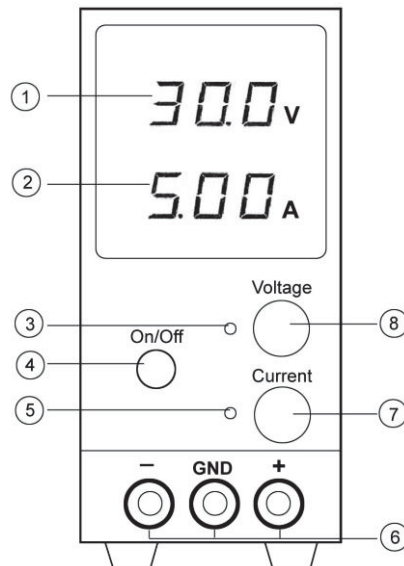
INTRODUCTION

This series power supply is a newly developed model with high stability and accuracy. Its unique block-like structure makes it easily to be extended from single channel to multi-channel. It is an ideal instrument for R&D departments, colleges and factories.

SPECIFICATIONS

Line Voltage		105-130VAC, 50Hz-60 Hz 200-240VAC, 50Hz-60Hz		
Input Current (full load)	110V	0.8A	1.2A	1.5A
	220V	0.4A	0.6A	0.9A
Output Voltage Range		0-30V	0-30V	0-30V
Output Current Range		0-2A	0-3A	0-5A
Voltage Display Accuracy		±0.5%		
Current Display Accuracy		±0.5%		
Efficiency		>85%		
Voltage Regulation				
Load Regulation(10-100%)		50mV	50mV	50mV
Line Regulation(200-240VAC)		20mV		
Ripple & Noise(P-P)		30mV	50mV	50mV
Current Regulation				
Load Regulation(10-100%)		20mA		
Line Regulation(200-240VAC)		20mA		
Ripple & Noise(P-P)		20mA		
Others				
Operating Ambient		-10°C to + 60°C/ 30%RH to 90% RH		
Size		7(W) x 16(H) x 22(D)cm		
Weight		1.35kg		

FRONT PANEL & OPERATION



Functions of the controls on front panel

- (1) 3 digit LED display of voltage.
- (2) 3 digit LED display of current.
- (3) CV (Constant Voltage) indicators. If the current passing through the load is lower than the preset value of current, the power supply is working in Constant Voltage state, and CV indicator lights.
- (4) Power Switch.
- (5) CC (Constant Current) indicators. If calculated with Ohm's law, the current passing through the load would be larger than preset value of current, the power supply will work in Constant Current state, CC indicator lights, and the actual current is limited to the preset value of current.
- (6) Output terminals.
- (7) Current adjusting knob.
- (8) Voltage adjusting knob.

OPERATION

Connection of output ports:

Plugging test leads into port “+” and “-” only, it will work in floating mode. And you can also get plus or minus voltage by connecting “+” or “-” with “GND”.

Setup Constant Voltage:

Keep test leads open, adjust voltage knob to get desired voltage.

Setup Constant Current:

Turn voltage and current knobs CCW to their small value positions, short circuit the test leads, adjust current knob to get a desired current.

ACCESSORIES:

Power Cord	1pc
User’s Manual	1pc
Spare Fuse (1.5A, 250 VAC, Ø5 x 20mm)	1pc

CAUTION:

- 1、 If the Power Supply can't be switched on, and line power is confirmed with no problem, the fuse of Power Supply may be broken. Switch off the Power Supply, disconnect the power cord, and change the fuse.
- 2、 When working in Constant Voltage state, if output voltage lower than what was preset and CC indicator lights, the instrument automatically turn to Constant Current state. You must check the load or increase the output current.
- 3、 When working in Constant Current state, if output current lower than what was preset and CV indicator lights, the instrument automatically turn to Constant Voltage state. You must check the load or increase the output voltage.
- 4、 When the instrument is unstable in Constant Voltage state, Probably the line voltage is under 90% of the rated value. If the problem is not caused by the line voltage, contact your nearest dealer.