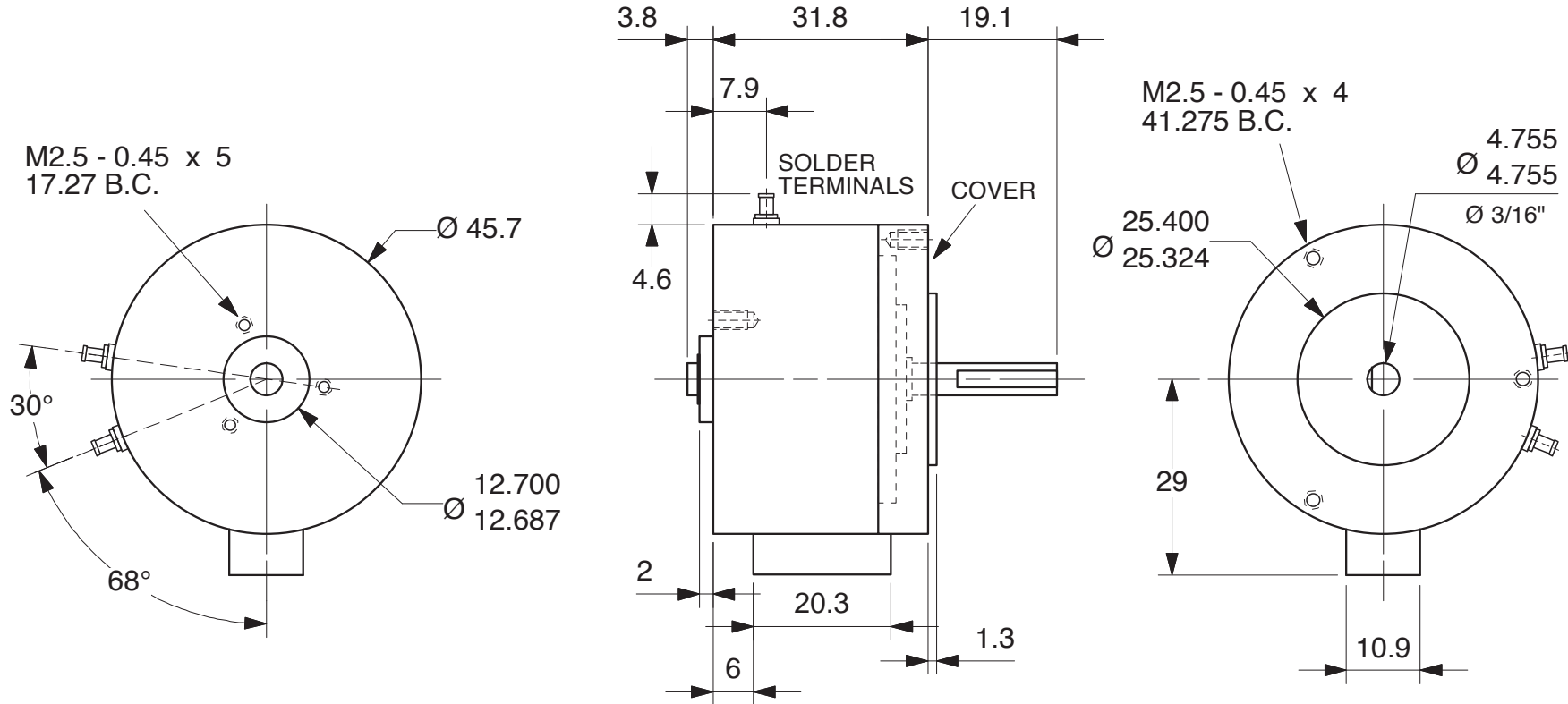
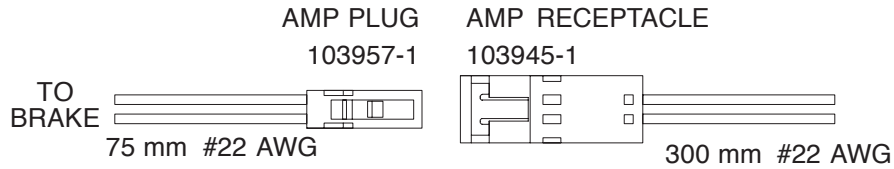


HYSTERESIS BRAKE H11 - 3M



H11-1M, Shaft out 1 side, opposite from cover.
 H11-2M, Shaft out 2 sides
 H11-3M, Shaft out 1 side, (as shown)

Units : mm
 Scale : full

Drawn 9/27/01
 Changed 6/19/04

Elmira, NY 14901 USA
 Telephone: 518-523-2422
www.placidindustries.com

