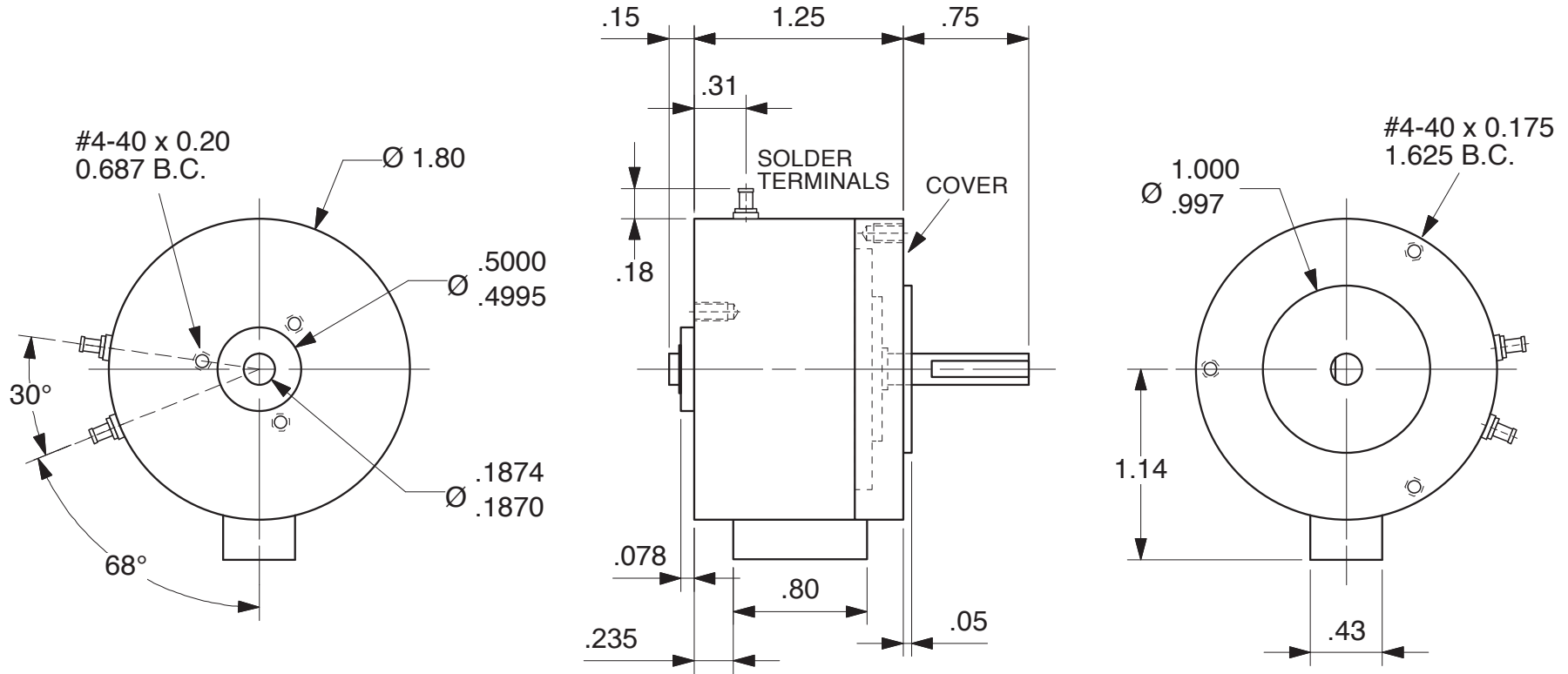
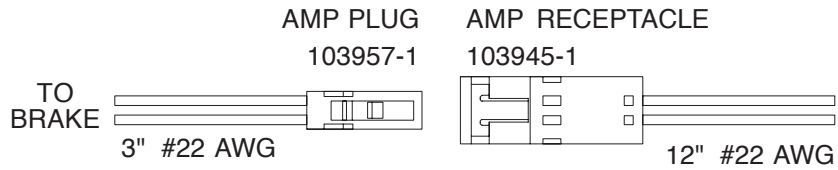


HYSTERESIS BRAKE H11 - 3



- H11-1, Shaft out 1 side, opposite from cover.
- H11-2, Shaft out 2 sides
- H11-3, Shaft out 1 side, (as shown)

Units : inches
Scale : full

Drawn 9/27/01
Changed 9/13/07

Elmira, NY 14901 USA
Telephone: 518-523-2422
www.placidindustries.com

