

# POWER SUPPLY - PST

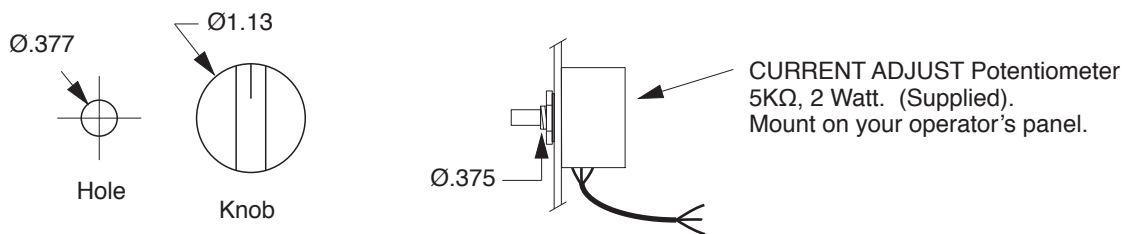
The power supply can control the large series 24 Volt brakes & clutches or multiple smaller ones. Output current is maintained constant, even while the load resistance changes, which is typical of any brake or clutch coil when temperature changes.  
 Output Voltage: 0 - 24 Volts D.C.

Control output current via: Potentiometer, 0-5 Volt Signal, 0-10 Volt Signal (selectable via jumper)

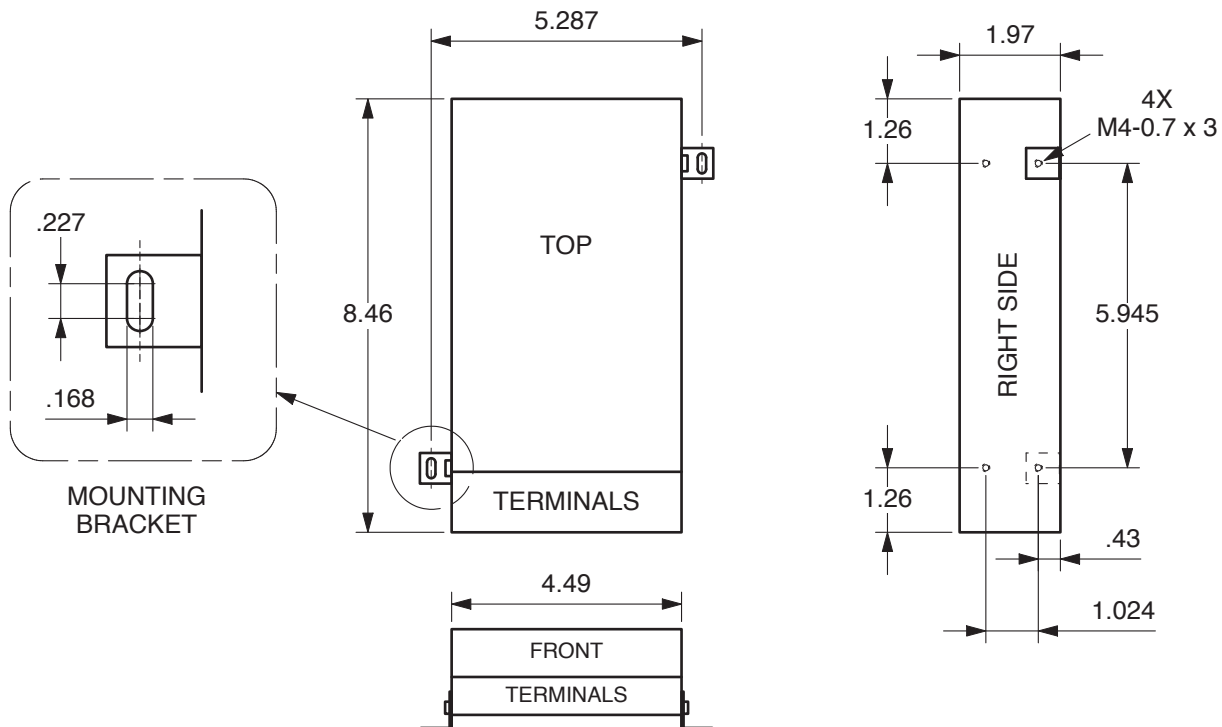
Part Number: PST (Output Current) - 24 - (Input AC Voltage)

2 = 2 Amperes	_____	_____	110 = 95 - 130 Volts AC.
3 = 3 Amperes	_____	_____	220 = 190 - 260 Volts AC.
4 = 4 Amperes	_____	_____	

## POTENTIOMETER MOUNTING HOLE

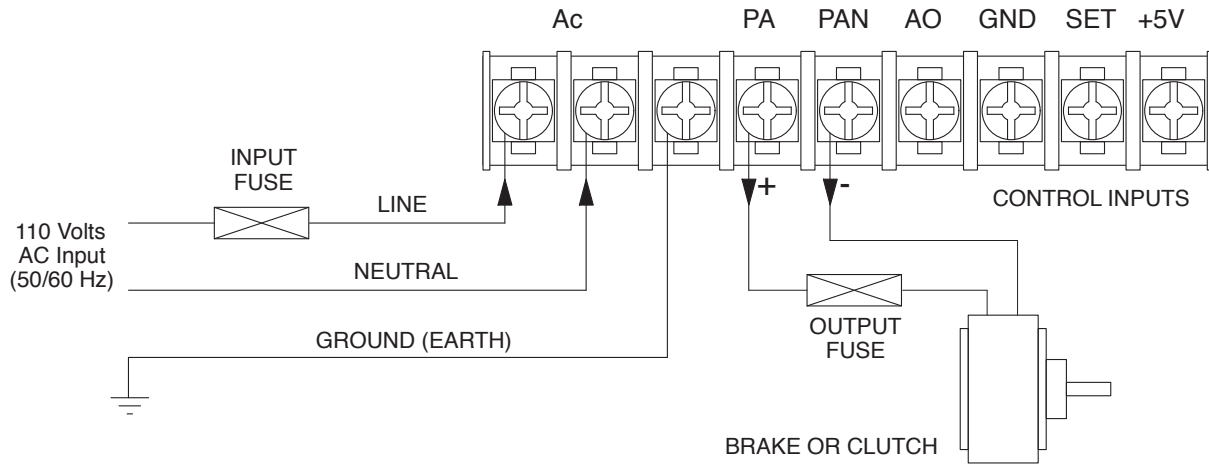


## DIMENSIONS (inches)



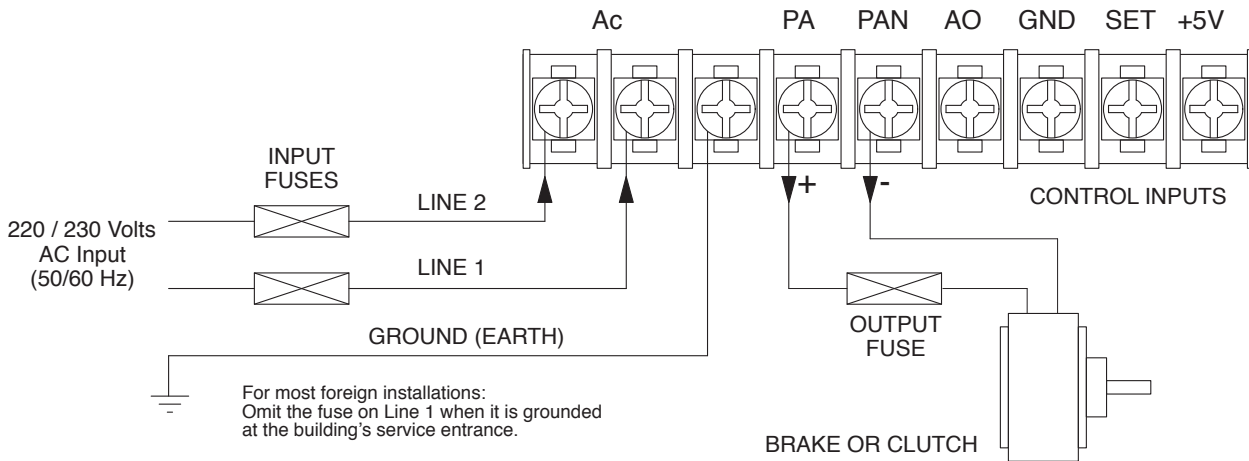
# POWER SUPPLY - PST

## A.C. INPUT, 110 VOLTS



MODEL	INPUT FUSE	OUTPUT FUSE
PST2-24-110	1	3
PST3-24-110	1.5	4
PST4-24-110	2	6

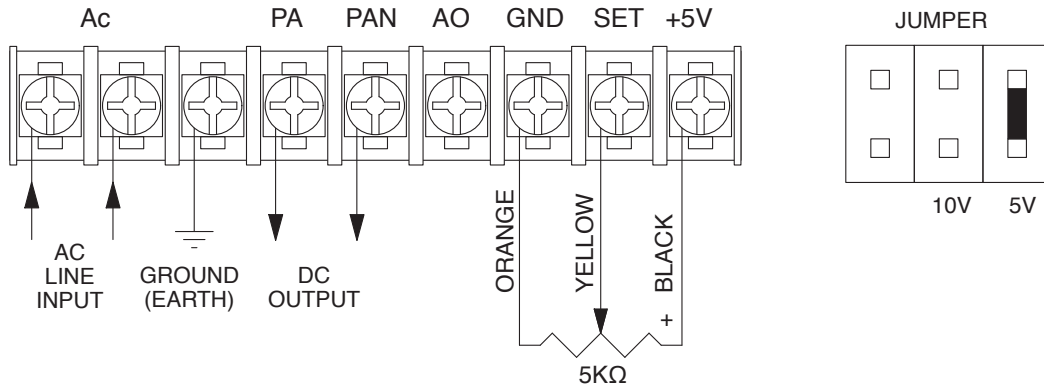
## A.C. INPUT, 220 / 230 VOLTS



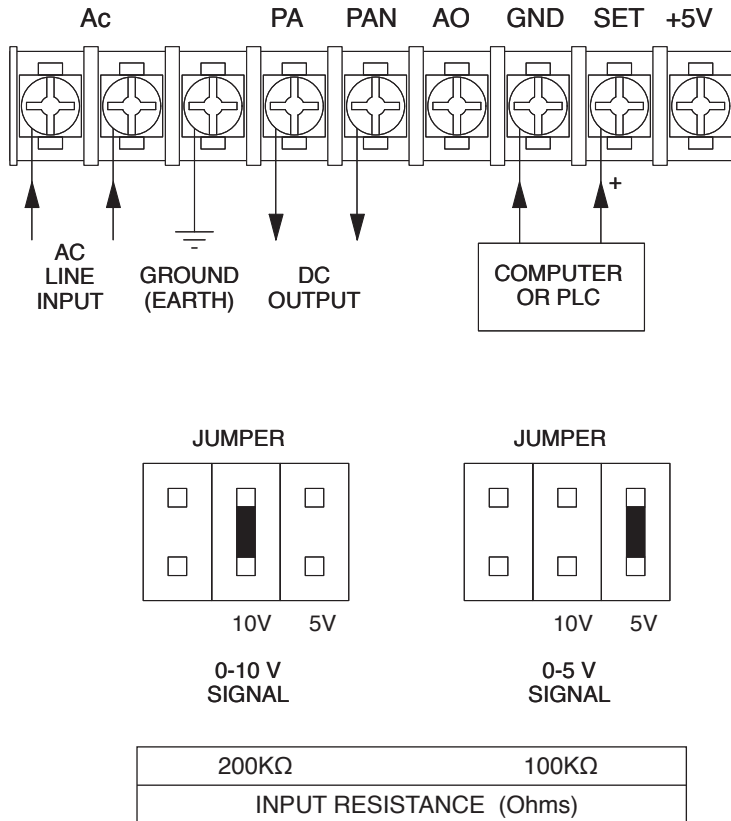
MODEL	INPUT FUSE	OUTPUT FUSE
PST2-24-220	3/4	3
PST3-24-220	1	4
PST4-24-220	1.5	6

# POWER SUPPLY - PST

## CONTROL OUTPUT CURRENT WITH A POTENTIOMETER



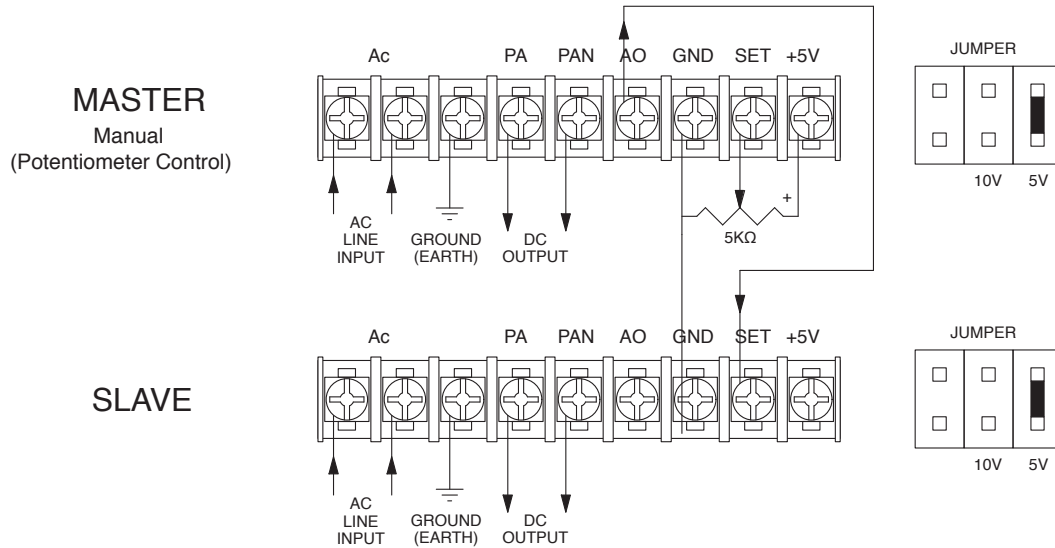
## CONTROL OUTPUT CURRENT WITH A VOLTAGE SIGNAL



# POWER SUPPLY - PST

Multiple PST power supplies can be controlled by one control input (potentiometer or 0-10 Volt signal), by wiring for master-slave operation.

## MASTER / SLAVE WIRING: Manual (Potentiometer Control)



## MASTER / SLAVE WIRING: 0-10 Volt Signal Control

