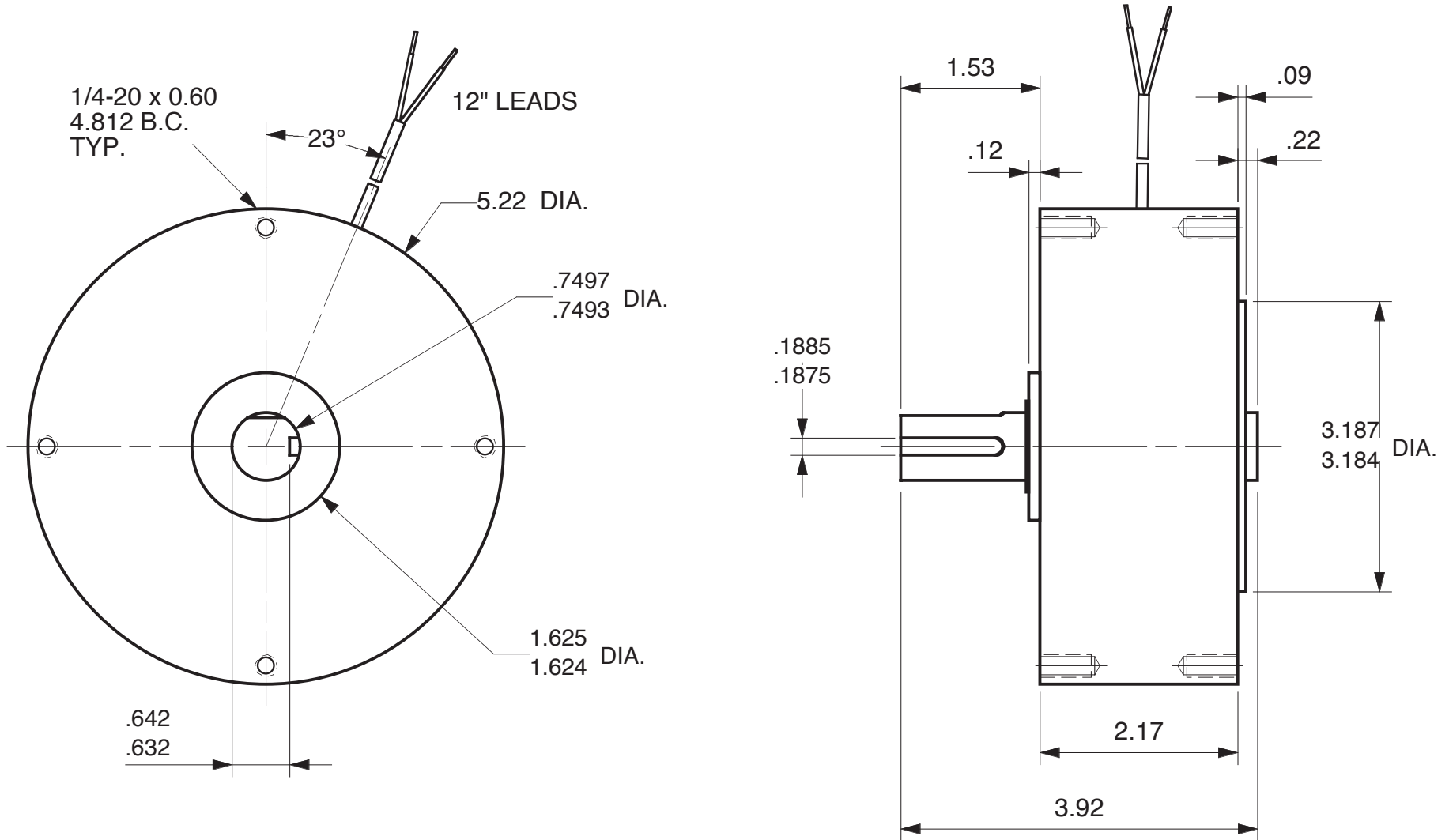


MAGNETIC PARTICLE BRAKE B150 - 1



B150-1, Shaft out 1 side (as shown)
 B150-H, Hollow shaft

Units : inches
 Scale : 60%

Drawn 9/27/01
 Changed 9/28/01

Elmira, NY 14901 USA
 Telephone: 518-523-2422
www.placidindustries.com

