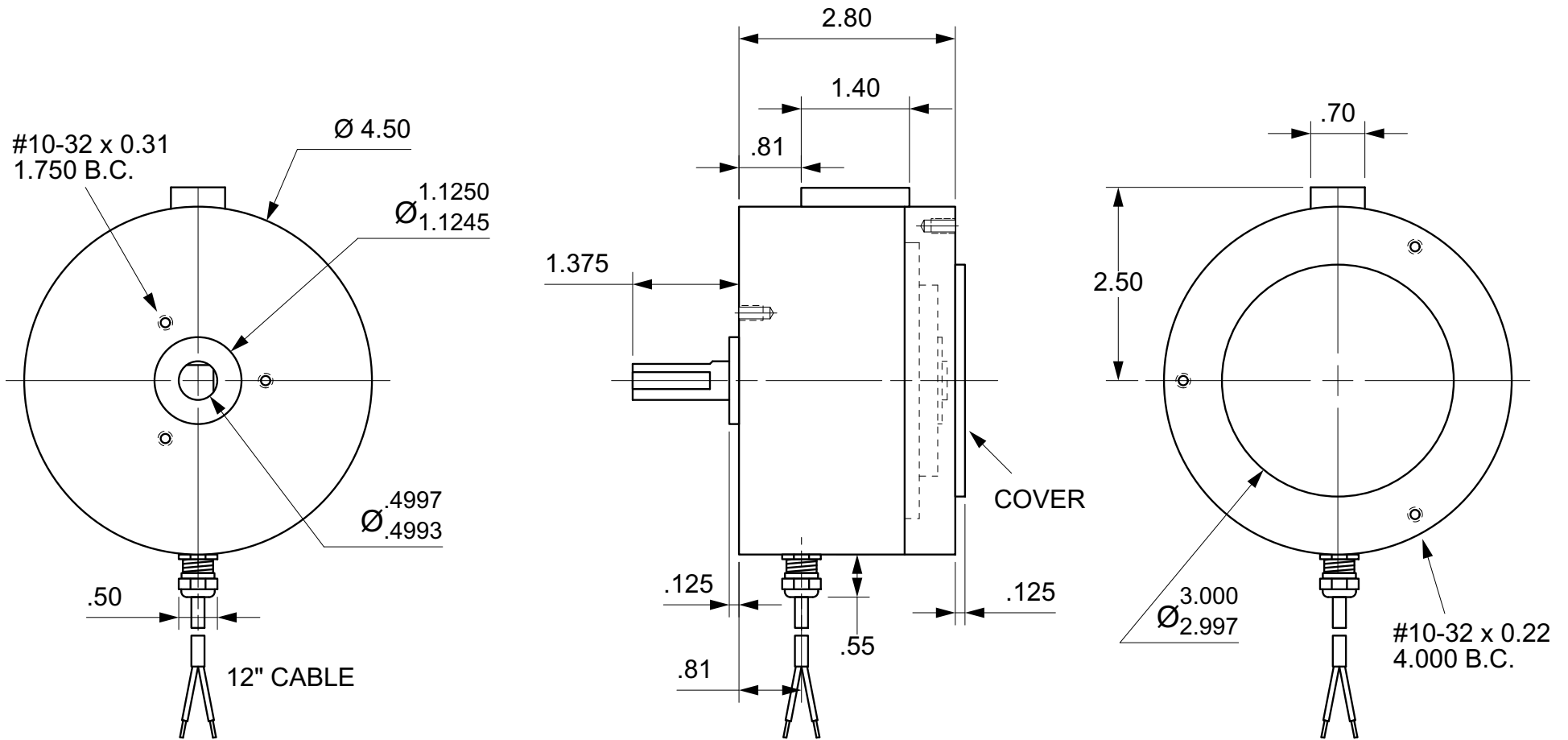


HYSTERESIS BRAKE H250 - 1



H250-1, shaft out 1 side, as shown
 H250-2, shaft out 2 sides
 H250-3, shaft out cover side only

Units : inches
 Scale : 50%

Drawn 9/27/01
 Changed 9/27/01

Lake Placid, NY USA
 Telephone 518 523-2422
www.placidindustries.com

