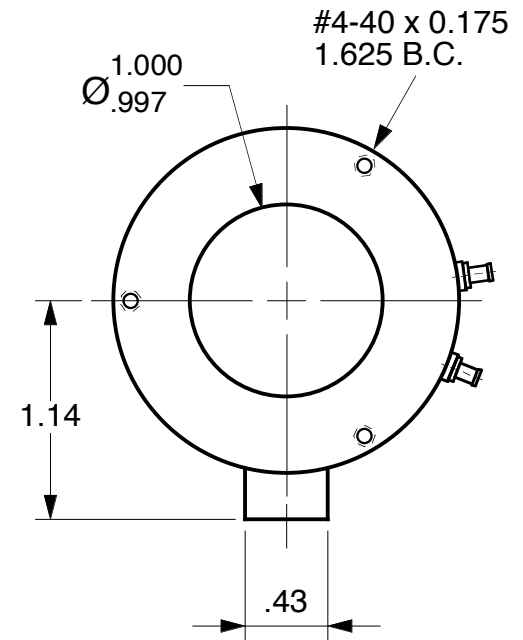
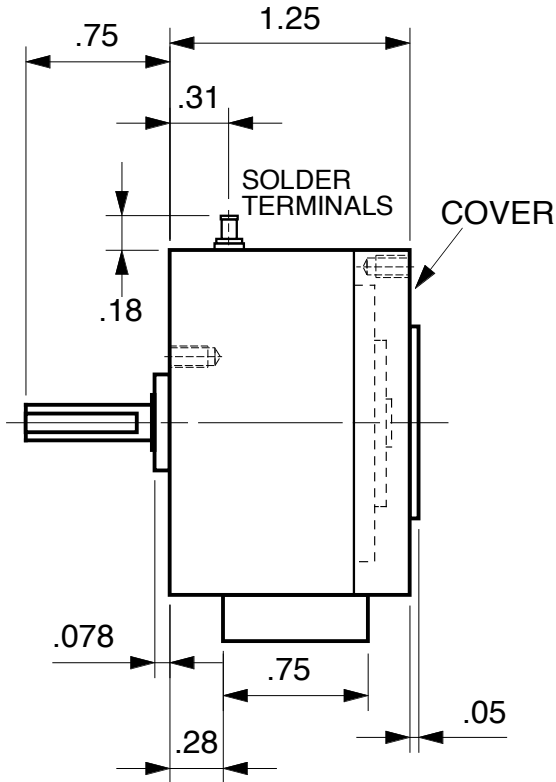
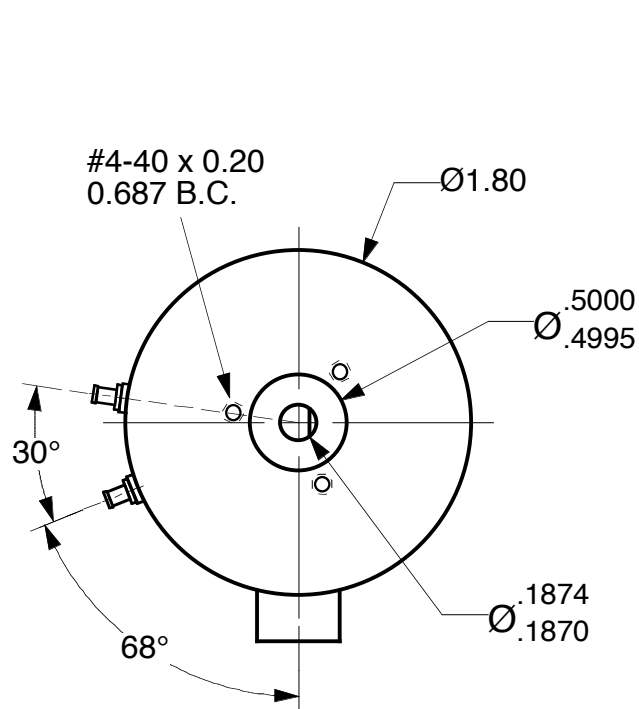
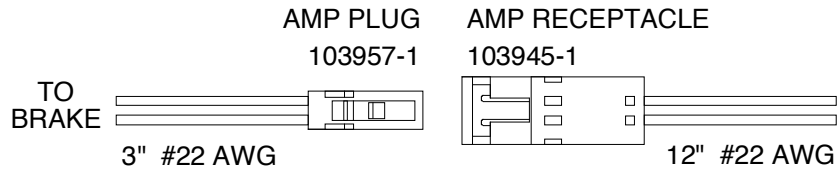


# HYSTERESIS BRAKE H11 - 1



- H11-1, Shaft out 1 side, (as shown)
- H11-2, Shaft out 2 sides
- H11-3, Shaft out opposite side than H11-1

Units : inches  
Scale : full

Drawn 9/27/01  
Changed 9/12/07

Lake Placid, NY USA  
Telephone 518 523-2422  
www.placidindustries.com

