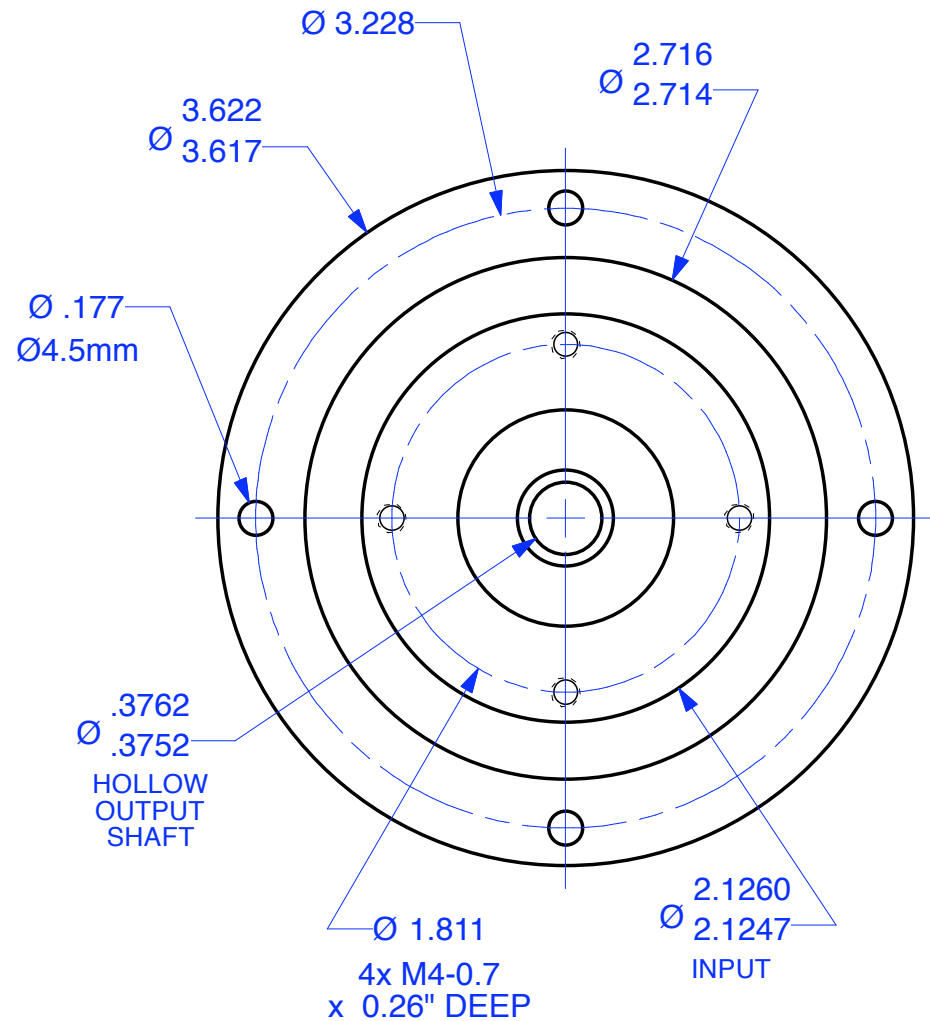
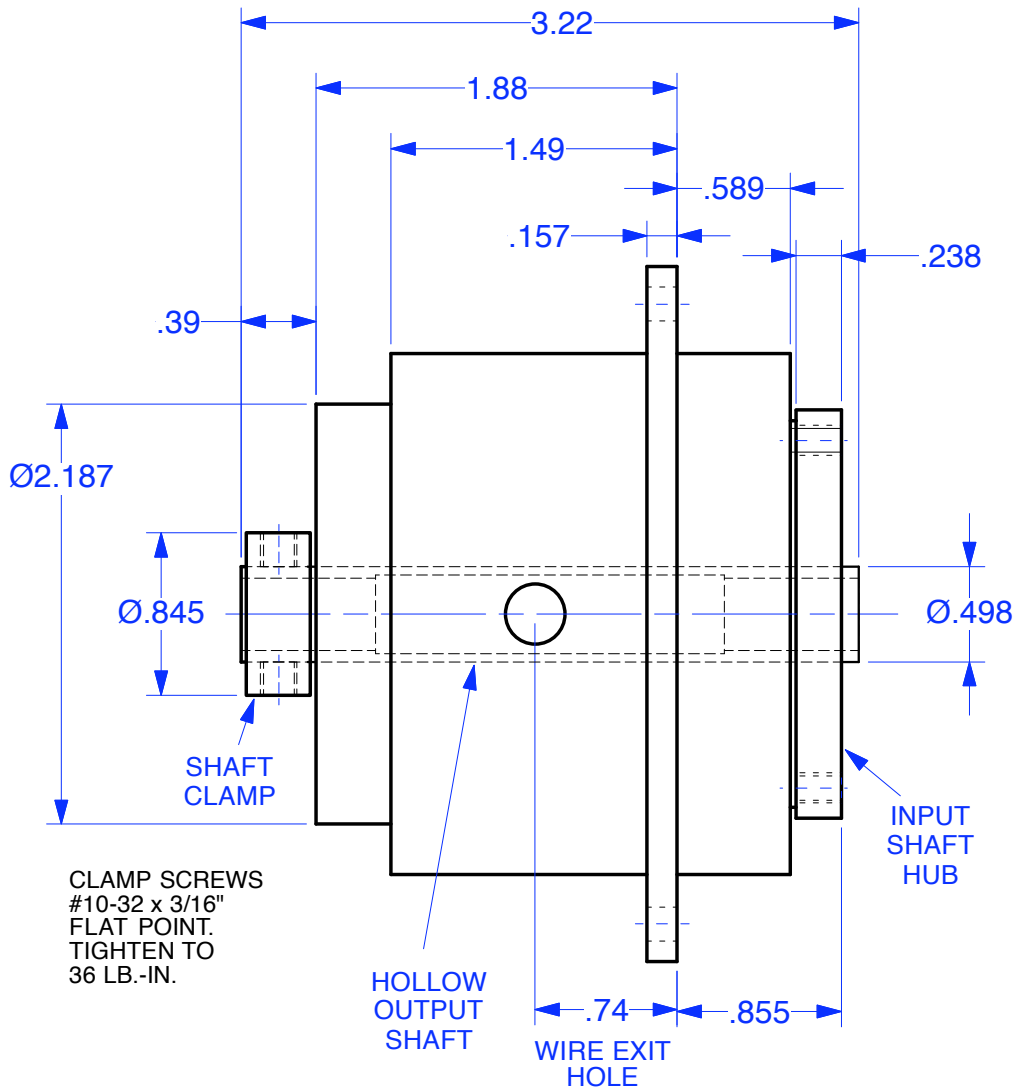


MAGNETIC PARTICLE CLUTCH CC14-HM

HOLLOW SHAFT



CLAMP SCREWS
#10-32 x 3/16"
FLAT POINT.
TIGHTEN TO
36 LB.-IN.

TORQUE RANGE: 0.4 - 14 LB.-INCHES
Customer thru-shaft: Ø.3752 / Ø.3745, smooth O.D.

SCALE: Full

Drawn 10/27/09
Changed 11/2/09

