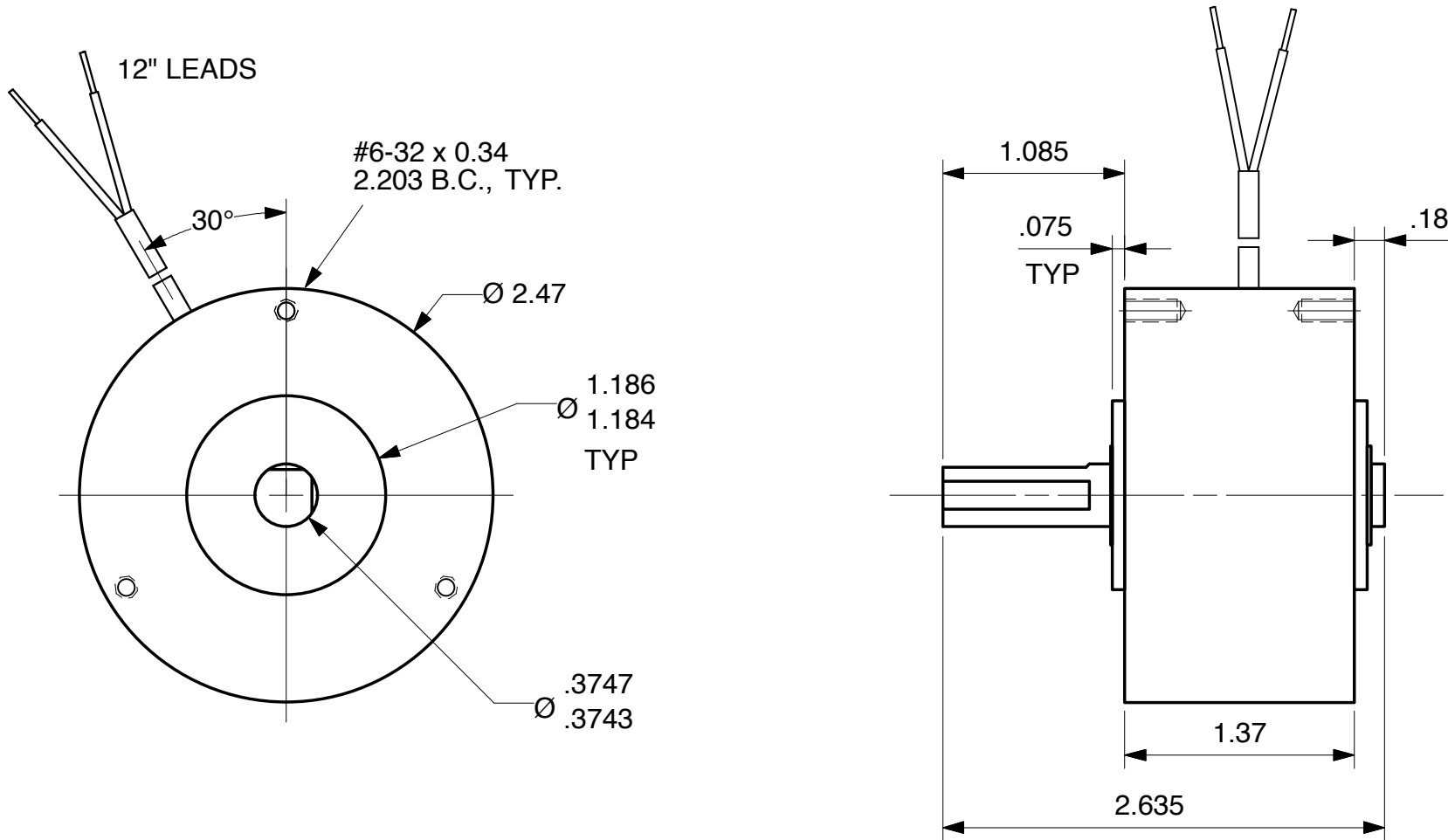


# MAGNETIC PARTICLE BRAKE B6 - 1



B6-1, Shaft out 1 side, (as shown)  
B6-2, Shaft out 2 sides

Units : inches  
Scale : full

Drawn 9/27/01  
Changed 9/28/01

Lake Placid, NY USA  
Telephone 518 523-2422  
www.placidindustries.com

