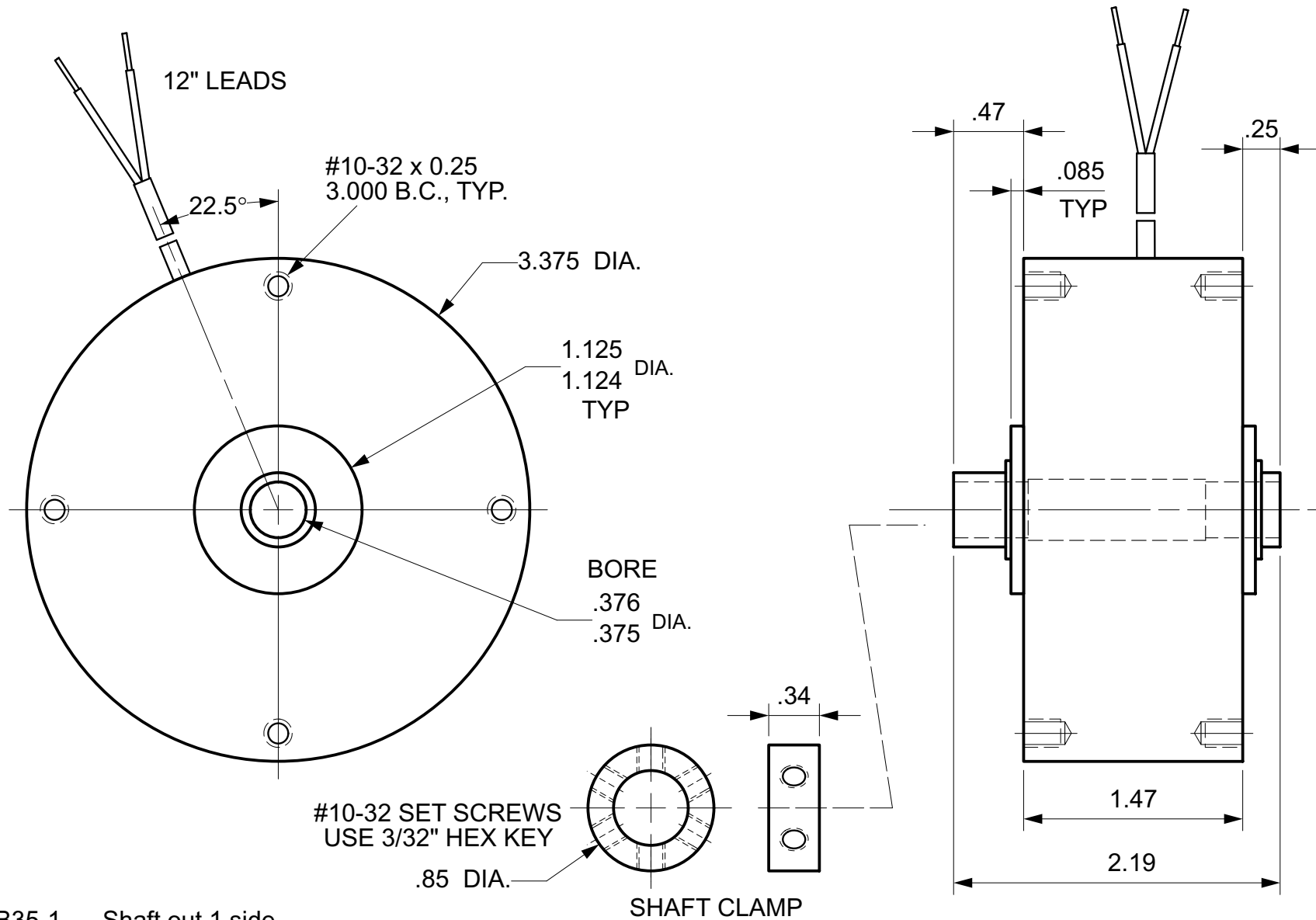


# MAGNETIC PARTICLE BRAKE B35 - H



- B35-1, Shaft out 1 side
- B35-2, Shaft out 2 sides
- B35-H, Hollow shaft (as shown)

Units : inches  
Scale : full

Drawn 9/27/01  
Changed 9/27/01

Lake Placid, NY USA  
Telephone 518 523-2422  
www.placidindustries.com

