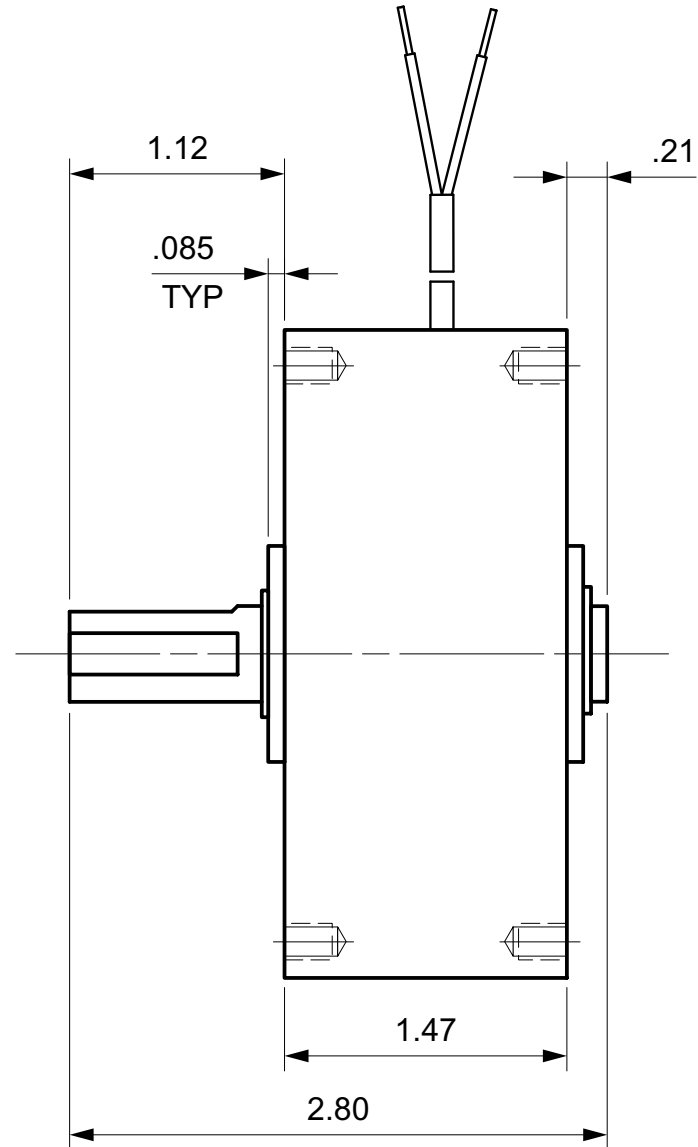
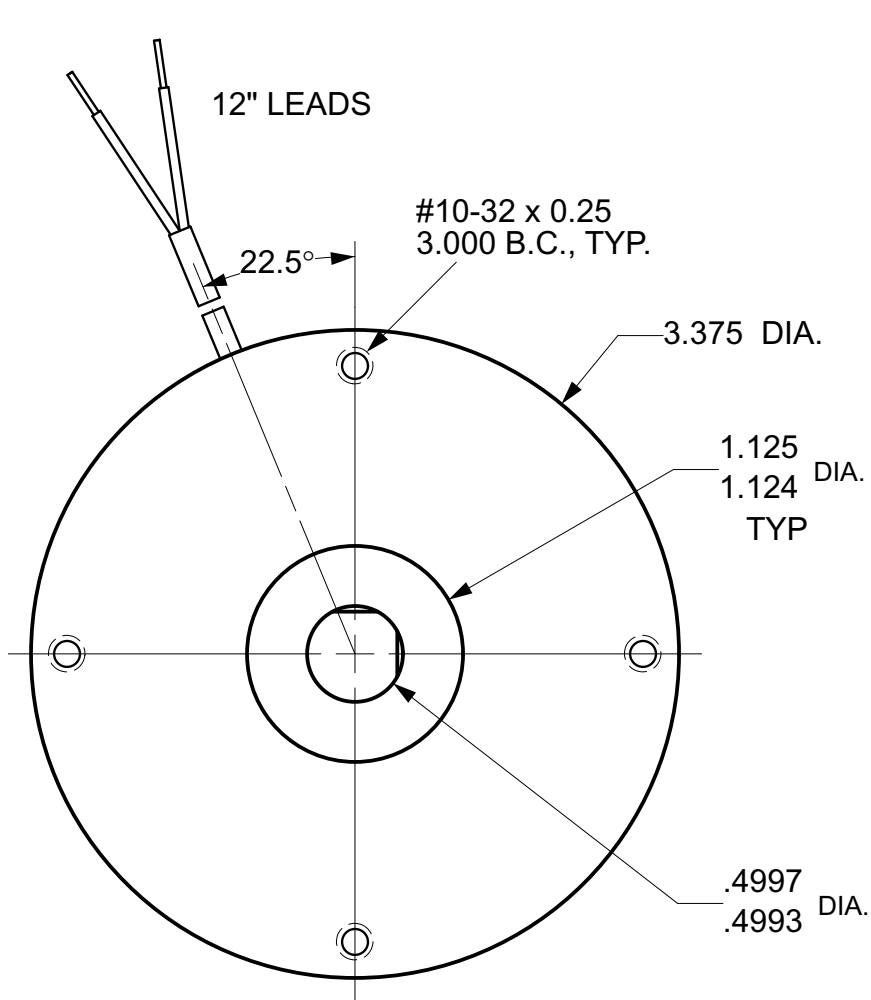


# MAGNETIC PARTICLE BRAKE B35 - 1



B35-1, Shaft out 1 side (as shown)  
 B35-2, Shaft out 2 sides  
 B35-H, Hollow shaft

Units : inches  
 Scale : full

Drawn 9/27/01  
 Changed 9/27/01

Lake Placid, NY USA  
 Telephone 518 523-2422  
[www.placidindustries.com](http://www.placidindustries.com)

