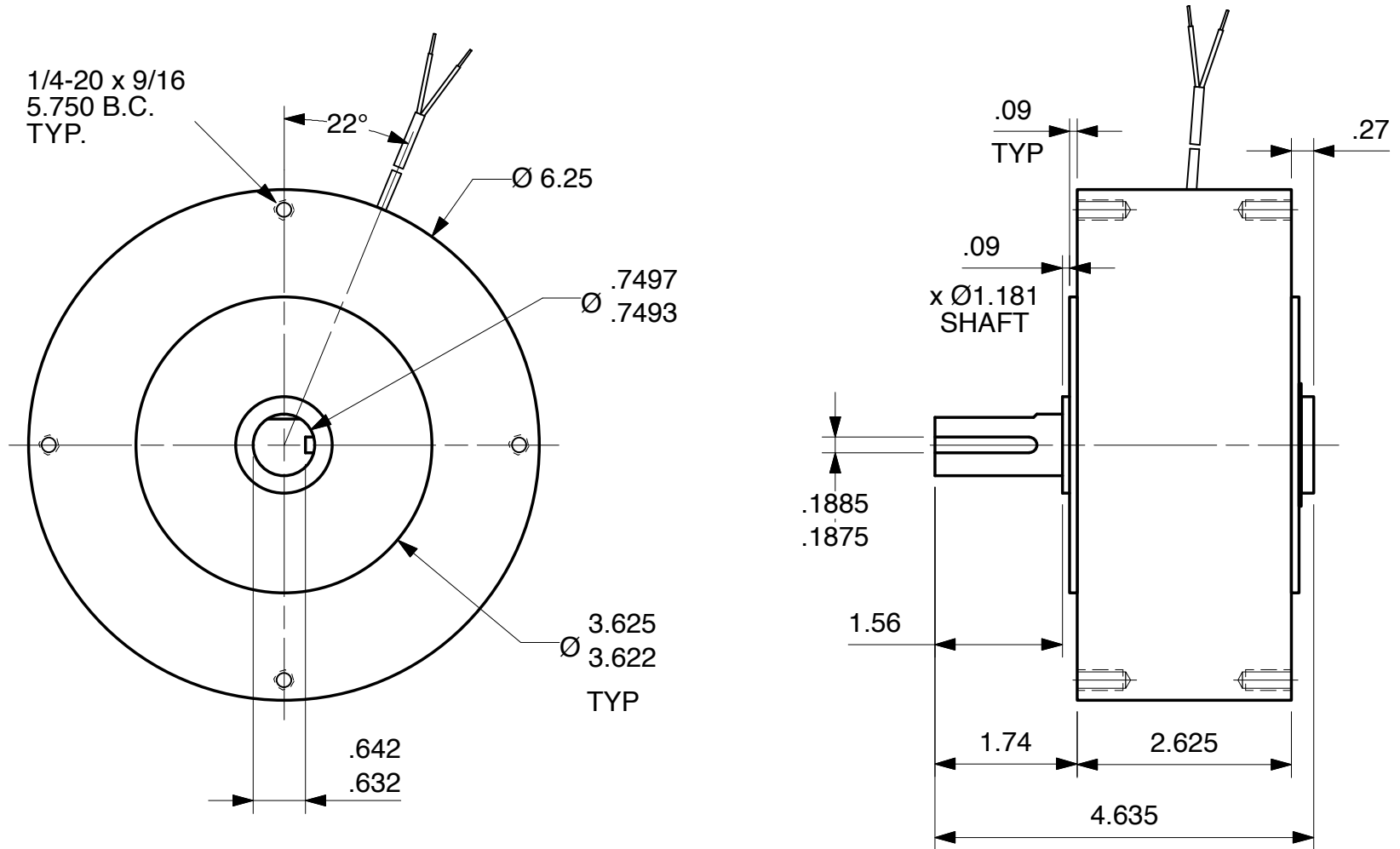


MAGNETIC PARTICLE BRAKE B220 - 1



B220-1, Shaft out 1 side, (as shown)
 B220-H, Hollow shaft

Units : inches
 Scale : 50%

Drawn 9/27/01
 Changed 8/2/08

Lake Placid, NY USA
 Telephone 518 523-2422
 www.placidindustries.com

