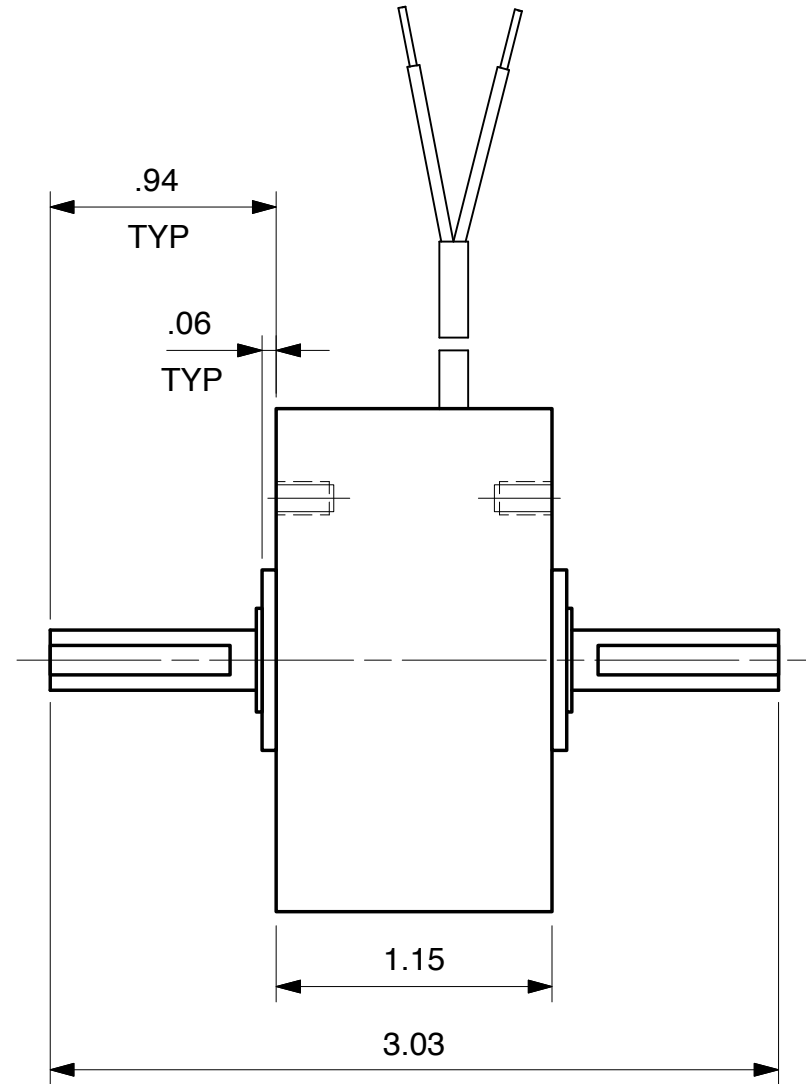
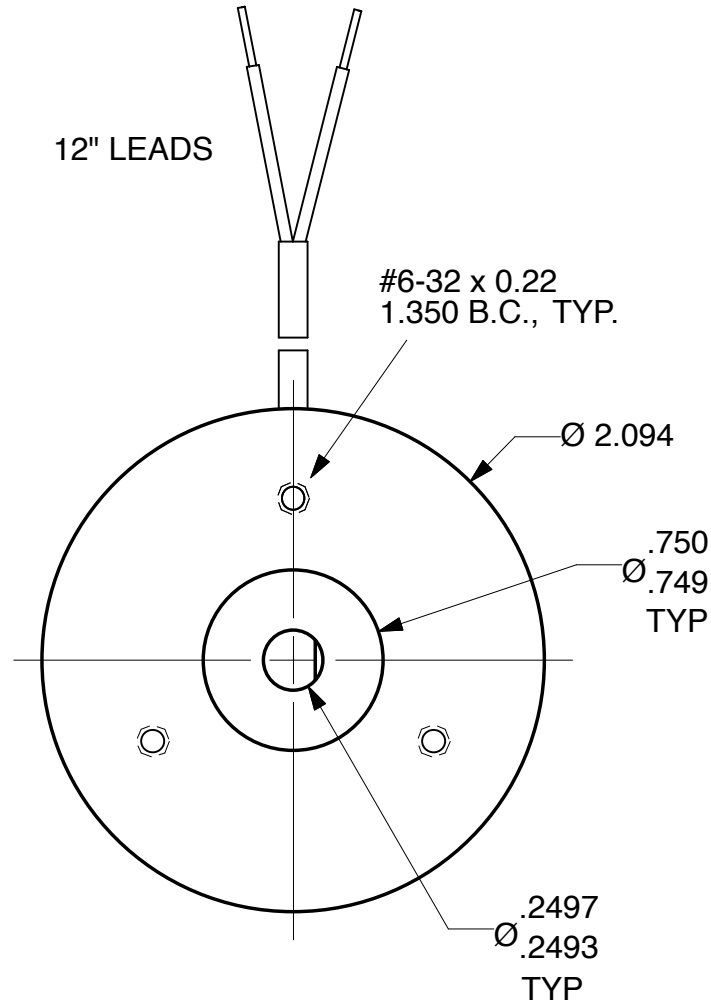


MAGNETIC PARTICLE BRAKE B2 - 2



B2-1, Shaft out 1 side
B2-2, Shaft out 2 sides, (as shown)

Units : inches
Scale : 1.25 x

Drawn 9/27/01
Changed 9/27/01

Lake Placid, NY USA
Telephone 518 523-2422
www.placidindustries.com

