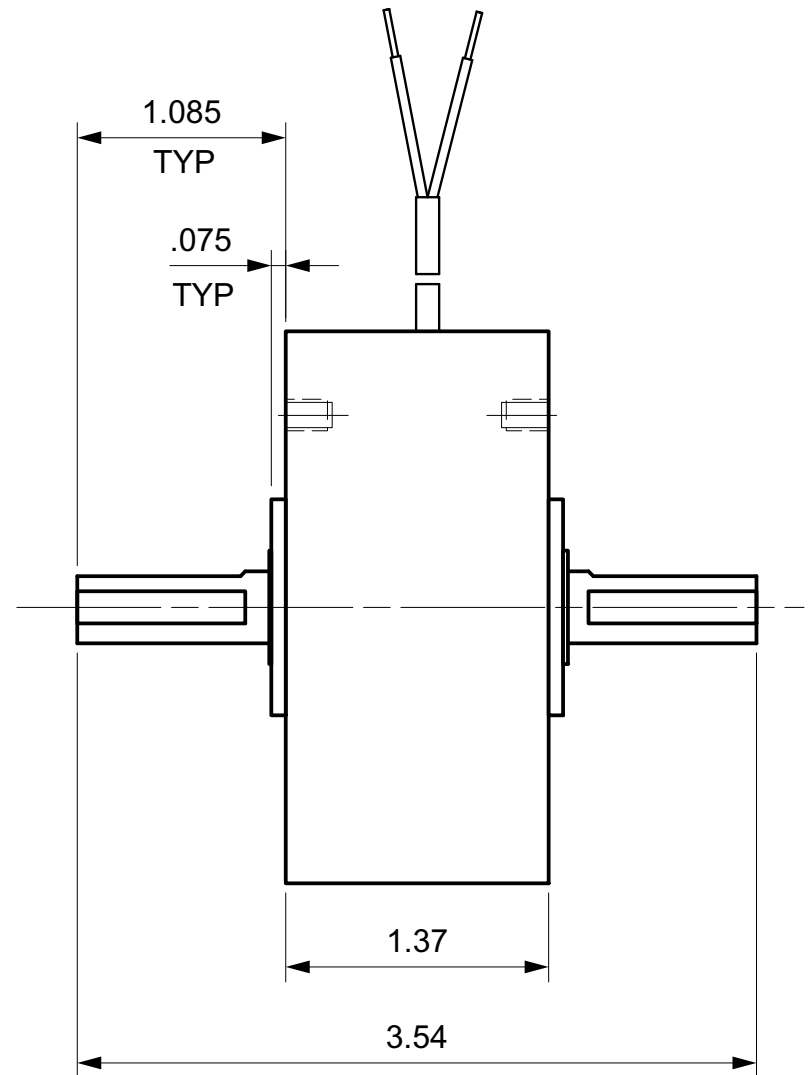
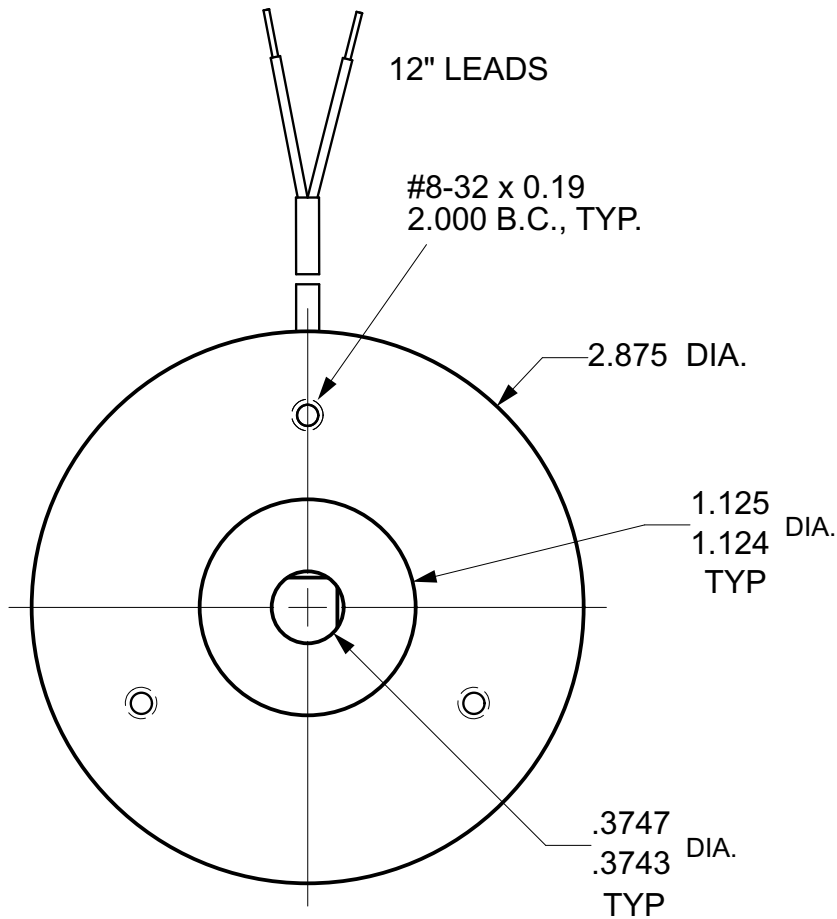


MAGNETIC PARTICLE BRAKE B15 - 2



- B15-1, Shaft out 1 side
- B15-2, Shaft out 2 sides (as shown)
- B15-H, Hollow shaft

Units : inches
Scale : full

Drawn 9/27/01
Changed 9/27/01

Lake Placid, NY USA
Telephone 518 523-2422
www.placidindustries.com

