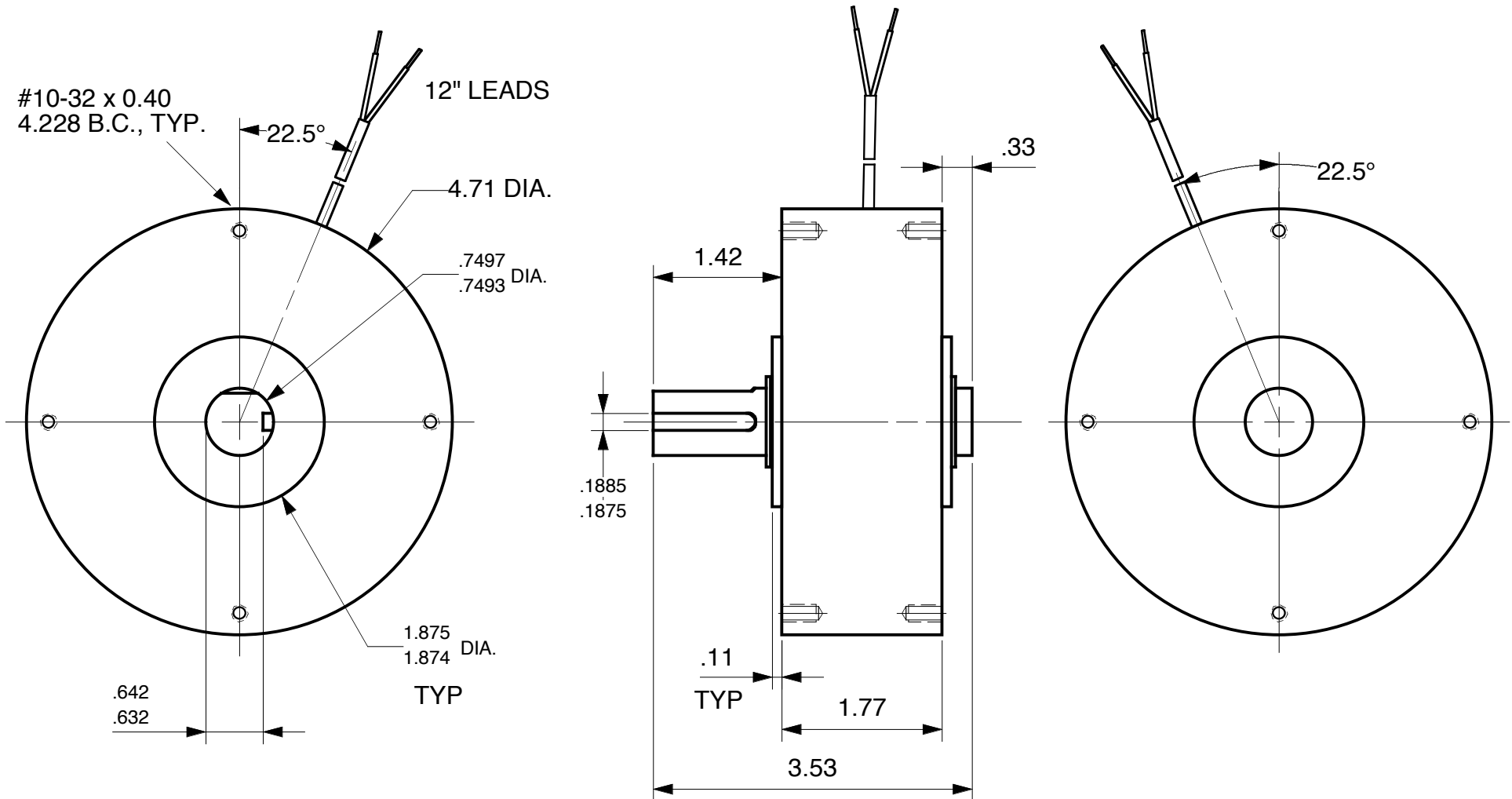


# MAGNETIC PARTICLE BRAKE B115 - 1



B115-1, Shaft out 1 side (as shown)  
 B115-H, Hollow shaft

Units : inches  
 Scale : 60%

Drawn 9/27/01  
 Changed 9/28/01

Lake Placid, NY USA  
 Telephone 518 523-2422  
 www.placidindustries.com

